

AIRFOIL



GRILLES
DUCT
FITTINGS

making it happen sooner...



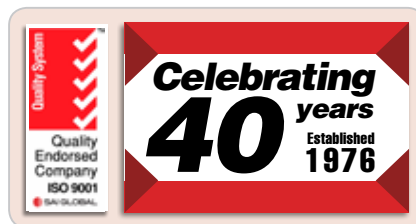
RADIAL SWIRL DIFFUSER R (CDS-DM500R)

Airfoil's Radial Swirl Diffuser (CDS-DM 500R) has 22 fixed vanes. It has the ability to handle lower to mid range air quantities whilst still being able to maintain the desired supply air swirl pattern.

The CDS-DM 500R is a highly versatile swirl making it ideal for use in a variety of applications such as office blocks, hospitals, shopping centres, or any building where the even distribution of air is paramount.

Product specification codes:

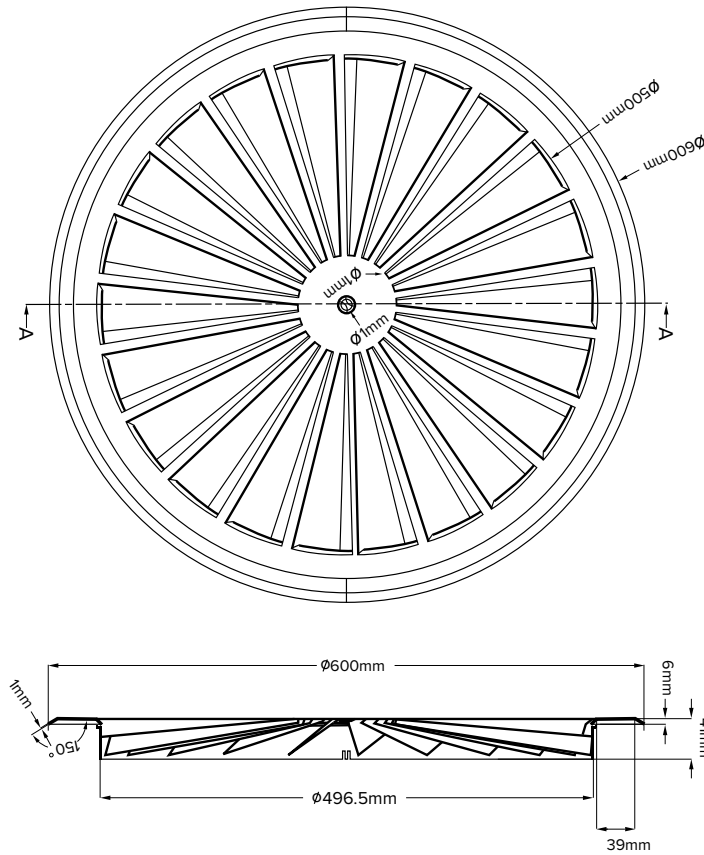
CDS-DM500R Radial Swirl Diffuser Round 500mm diameter



Celebrating
40 years
Established
1976

RADIAL SWIRL DIFFUSER (CDS-DM500)

Cross Sectional Diagram



Performance Data

TEST CONDITIONS				SOUND POWER LEVEL, db re 1E-12 W OCTAVE BAND CENTRE FREQUENCY (Hz)						
Qs (l/s)	Ps (Pa)	Th (m)	NC	125	250	500	1000	2000	4000	8000
165	7	4	17	42.5	37.6	31.4	29.7	25.4	16.4	<13.5
245	10	5	22	45.9	41.9	35.8	33.6	30.6	20.3	<13.5
288	13	6	27	49.9	46.4	40.5	38.4	36	26.5	16.3
351	19	7	32	53.5	50.6	45.8	42.8	39.8	31.8	22.1
432	29	>7	37	58.4	55.8	51.2	47.5	44.9	37.6	28.9

LEGEND

Qa - Primary Air Flow Rate (L/s) Ps - Supply Static Pressure (Pa) NC - Noise Criterion based upon room absorption of 10db
 > - Length of throw greater than that able to be measured Th - Horizontal Throw in metres at terminal velocity of 0.25m/s
 < - Insufficient margin above background noise to allow accurate determination