

TROX Malaysia Sdn. Bhd. (278360-V)
 20, Persiaran Bunga Tanjung 1,
 Senawang Land Industrial Park,
 70400, Seremban, Negeri Sembilan Darul Khusus,
 Malaysia
 Telephone : (+6) 06-6788188
 Telefax : (+6) 06-6788 288/388
 E-mail : enquiry@troxmal.com.my
 http://www.troxapo.com

Product Information

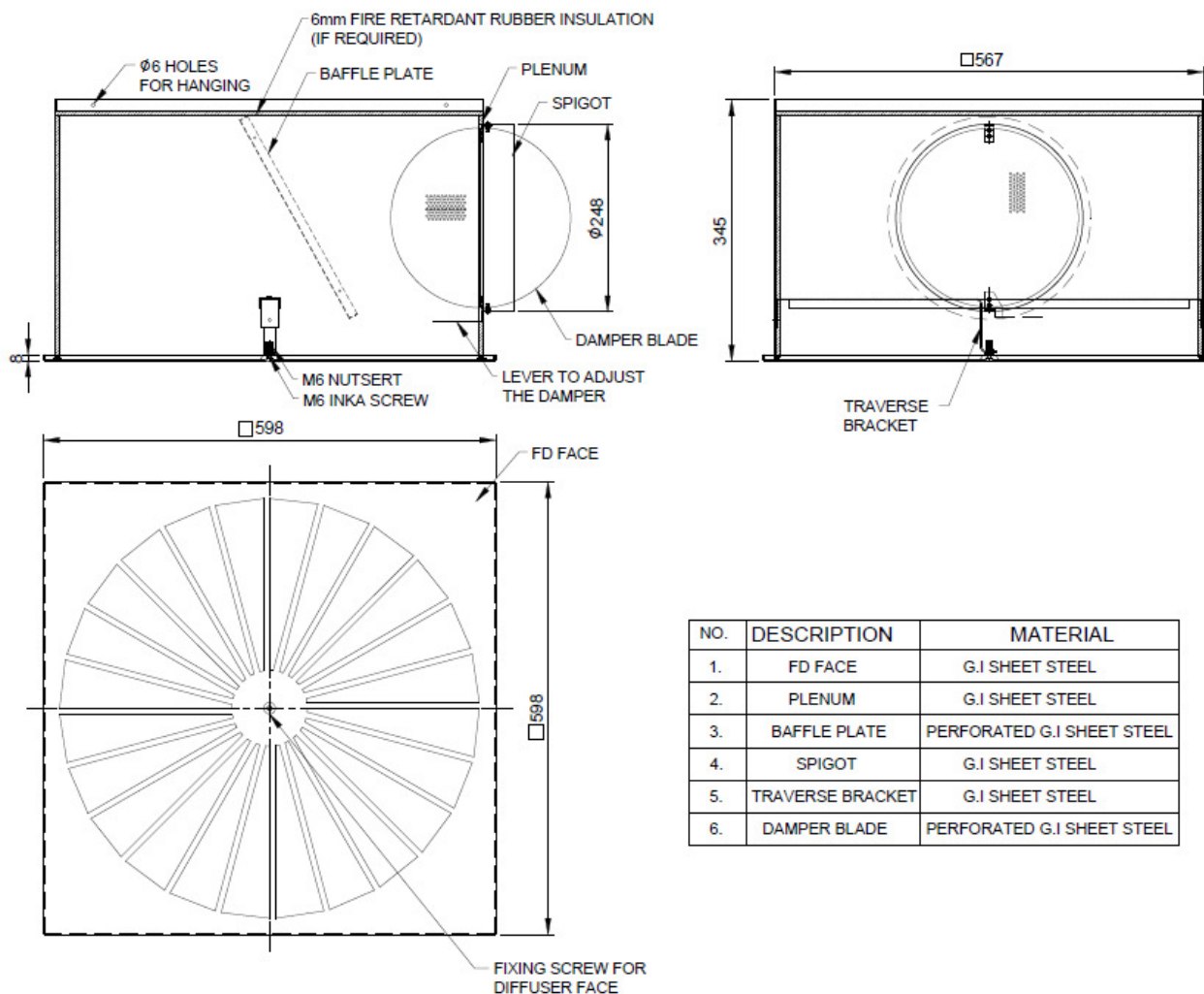
Radial Swirl Diffuser Type FD600/24 PI M 2/6.1/EN/1

Description

The TROX FD600/24 Swirl Diffuser is designed to fit into a standard 600 mm square ceiling tile with 24 fixed blades and is provided with either a square or round face. It is only manufacturer in ONE size but, it can be supplied with blanking plates fitted to the rear of the diffuser face to reduce the air flow if needed. This diffuser is designed to provide a radial air flow discharge pattern with high induction flow rate.

Construction

The diffuser face can be detached from the plenum box by removing the screw at the centre of the face. The screw head is fitted with a decorative cap to match the standard colour of the diffuser face, which is in matt white to RAL 9010. The plenum box can be supplied with either a top or side entry spigot. A volume control damper to the inlet spigot and internal lining of the plenum box can be provided as optional extras. For T-bar ceiling, the face size will be 595 mm by 595 mm.



TROX Malaysia Sdn. Bhd. (278360-V)
 20, Persiaran Bunga Tanjung 1,
 Senawang Land Industrial Park,
 70400, Seremban, Negeri Sembilan Darul Khusus,
 Malaysia
 Telephone : (+6) 06-6788188
 Telefax : (+6) 06-6788 288/388
 E-mail : enquiry@troxmal.com.my
 http://www.troxapo.com

Product Information

Radial Swirl Diffuser
Type FD600/24
PI M 2/6.1/EN/1

Materials

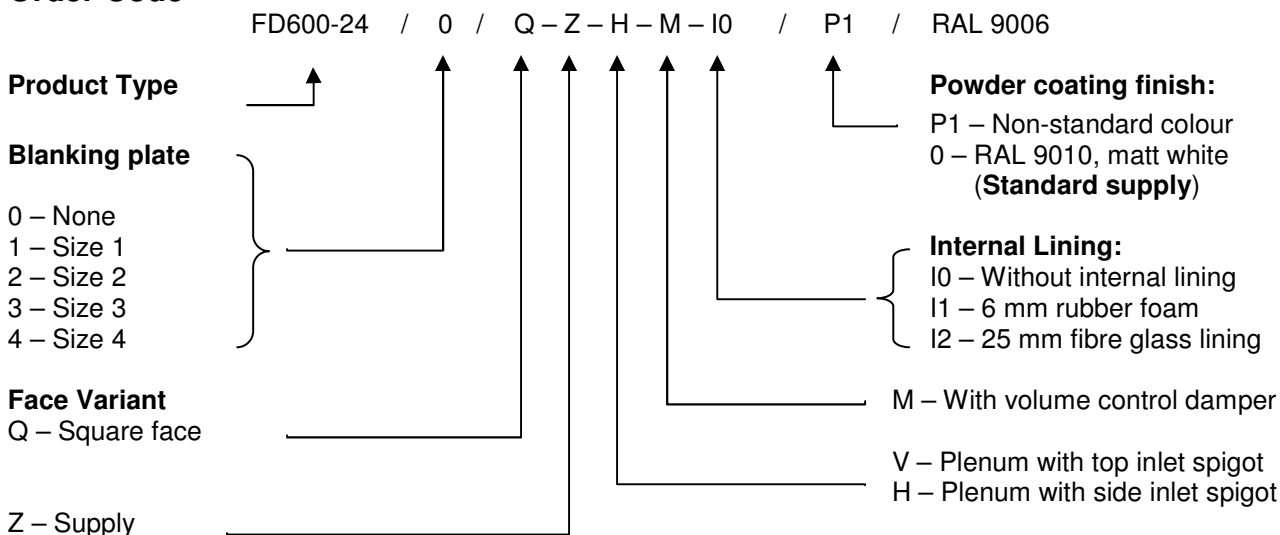
The diffuser face is manufactured from galvanized sheet steel with powder coating to RAL 9010 (matt white) as a standard finish. Non-standard colour can be provided on request.

Plenum boxes are also made of galvanized sheet steel. Internal thermal lining can be provided to the plenum boxes with either in 6 mm thick fire retardant rubber insulation or 25 mm thick semi-rigid glass fibre insulation on request. The fibre glass insulation has Marglass lining on the exposed face to prevent fibre erosion for air speeds at up to 20 m/s.

Performance Data

Type	Air Flow (l/s)	ΔP (Pa)	NC Level	SPL in dB(A)
FD600-24/ 0	275	20	NC 38	44
	220	12	NC 35	41
FD600-24/ 1	177	11	NC 35	41
	150	8	NC 30	36
	101	4	NC 25	29
FD600-24/ 2	165	17	NC 35	39
	141	12	NC 30	36
	100	7	NC 25	29
FD600-24/ 3	140	23	NC 35	40
	123	19	NC 30	36
	92	10	NC 25	29
FD600-24/ 4	108	34	NC 35	39
	91	24	NC 30	35
	72	15	NC 25	29

Order Code



TROX Malaysia Sdn. Bhd. (278360-V)
20, Persiaran Bunga Tanjung 1,
Senawang Land Industrial Park,
70400, Seremban, Negeri Sembilan Darul Khusus,
Malaysia
Telephone : (+6) 06-6788188
Telefax : (+6) 06-6788 288/388
E-mail : enquiry@troxmal.com.my
<http://www.troxapo.com>

Product Information

Radial Swirl Diffuser
Type FD600/24
PI M 2/6.1/EN/1

A - Extract