

AIRFOIL



GRILLES
DUCT
FITTINGS

making it happen sooner...



PLASTIC ROUND (RND)

Airfoil's Plastic Round is an attractive and high quality ceiling mounted diffuser used predominantly for domestic supply and exhaust applications.

Airfoil's Plastic Round is manufactured from high quality ABS polymers, which will ensure long term strength and rigidity. This will ensure that the surface will not discolour over time. The centre of the diffuser can be adjusted which will enable the user to conveniently and accurately balance the airflow.

The finish is standard ceiling white with an etched surface, which will act to minimise light reflections.

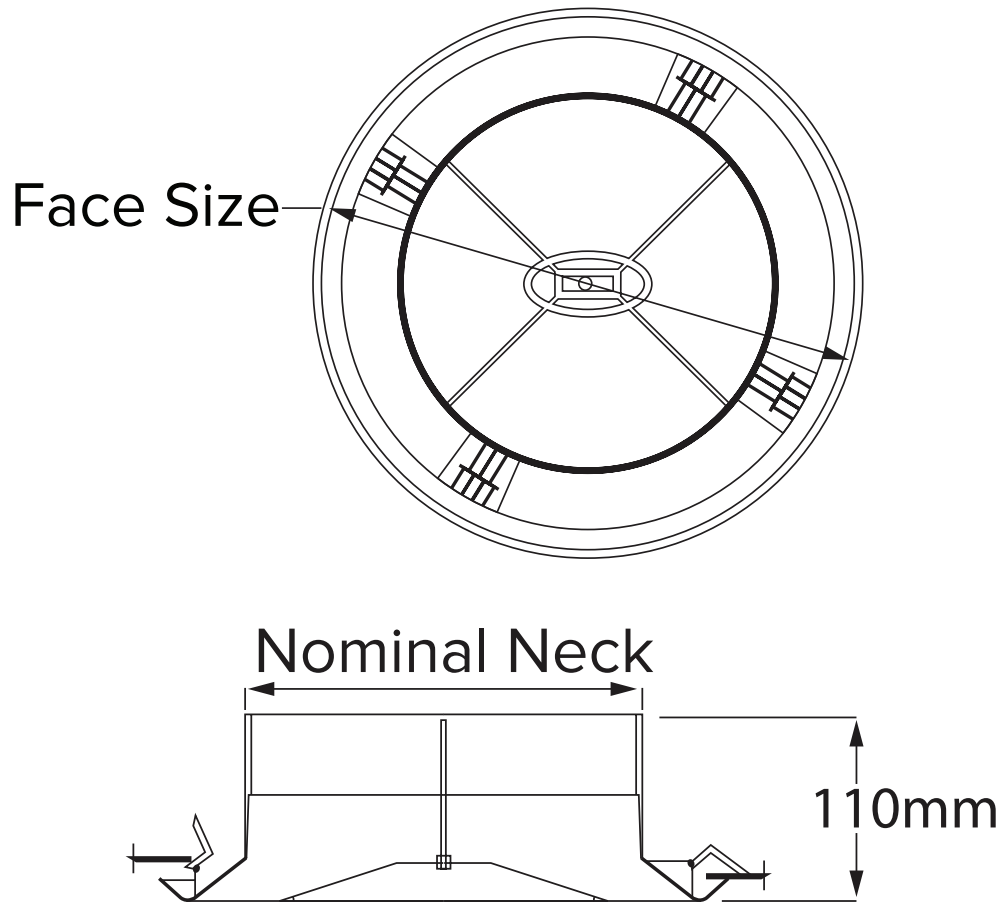
Product specification codes:

RND150	Plastic Round with 150 mm neck
RND200	Plastic Round with 200 mm neck
RND250	Plastic Round with 250 mm neck
RND300	Plastic Round with 300 mm neck



PLASTIC ROUND (RND)

Sectional diagram



PRODUCT CODE	FACE SIZE	NECK SIZE	CUT SIZE
RND150	260 mm	150 mm	230 mm
RND200	320 mm	200 mm	290 mm
RND250	395 mm	250 mm	360 mm
RND300	440 mm	300 mm	400 mm

Performance Data

			Flowrate (l/s)												
			25	50	75	100	125	150	175	200	225	250	275	300	350
RND150	Throw (m)	0.50m/s	1.1	1.5	2.2	2.5	2.7								
	NC		-	15	16	27	35								
	Pstatic (Pa)		7	23	50	84	133								
RND200	Throw (m)	0.50m/s	-	1.4	1.8	2.1	2.4	2.8	3.0						
	NC		-	-	15	24	30	40	42						
	Pstatic (Pa)		-	9	20	36	54	76	103						
RND250	Throw (m)	0.50m/s	-	1.1	1.7	1.6	2.1	2.6	2.8	3.1	3.3	3.5	3.7		
	NC		-	-	-	-	-	15	17	26	29	32	33		
	Pstatic (Pa)			8	17	25	35	44	56	70	85	102	123		
RND300	Throw (m)	0.50m/s	-	.9	1.3	1.5	1.9	2.2	2.5	2.7	2.9	3.1	3.2	3.5	3.9
	NC		-	-	-	-	-	-	-	15	17	22	26	33	
	Pstatic (Pa)			3	5	9	11	18	25	32	39	46	59	72	103