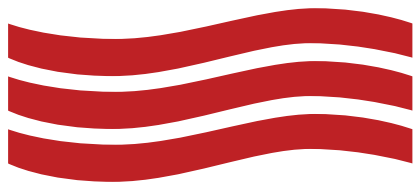


AIRFOIL



GRILLES
DUCT
FITTINGS

making it happen sooner...



Quality
Endorsed
Company
ISO 9001
 SAI GLOBAL



**DOWN JET DIFFUSER
DJD-250**



DOWN JET DIFFUSER **DJD-250**

PRODUCT DESCRIPTION AND APPLICATION

Airfoil's Down Jet Diffuser (DJD-250) presents an appealing ceiling-mounted diffuser, crafted from high-quality ABS Polymers to ensure lasting strength and rigidity. This premium ABS Polymer material is engineered to resist discolouration over time, ensuring durability.

Suitable for cooling, heating, and ventilation applications, the DJD-250 is best utilised in modular plaster ceiling systems. It arrives complete with a snap-down fixing clip and dual clip arrangement for effortless installation. Offered in three sizes, this diffuser comprises a series of concentric rings that direct air downwards at a slight angle to the vertical.

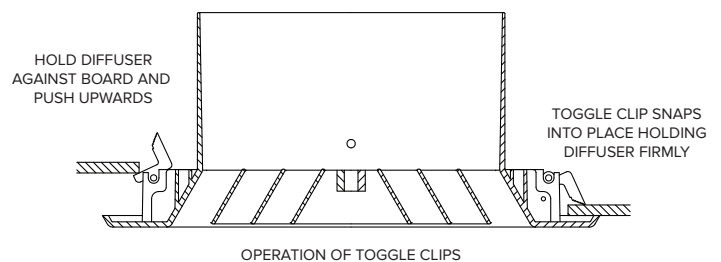
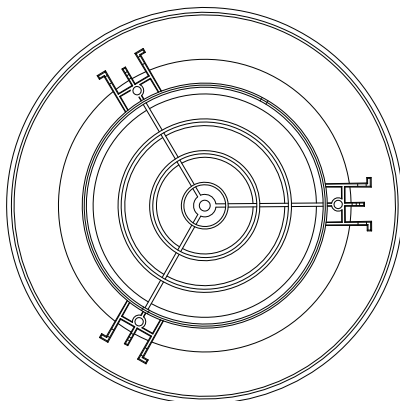
This directional airflow enhances the mixing of cooler air at lower levels. An adjustable centre knob allows for precise control of the airflow, including a total shut-off position. Additionally, the diffuser includes a butterfly damper at the rear for air balancing purposes.

Primarily intended for domestic supply and exhaust applications, the DJD-250 can also be employed in commercial spaces with ceiling heights of up to 2.7 meters. Finished in standard ceiling white with an etched surface, it is readily available in stock for immediate delivery.

DOWN JET DIFFUSER DJD-250

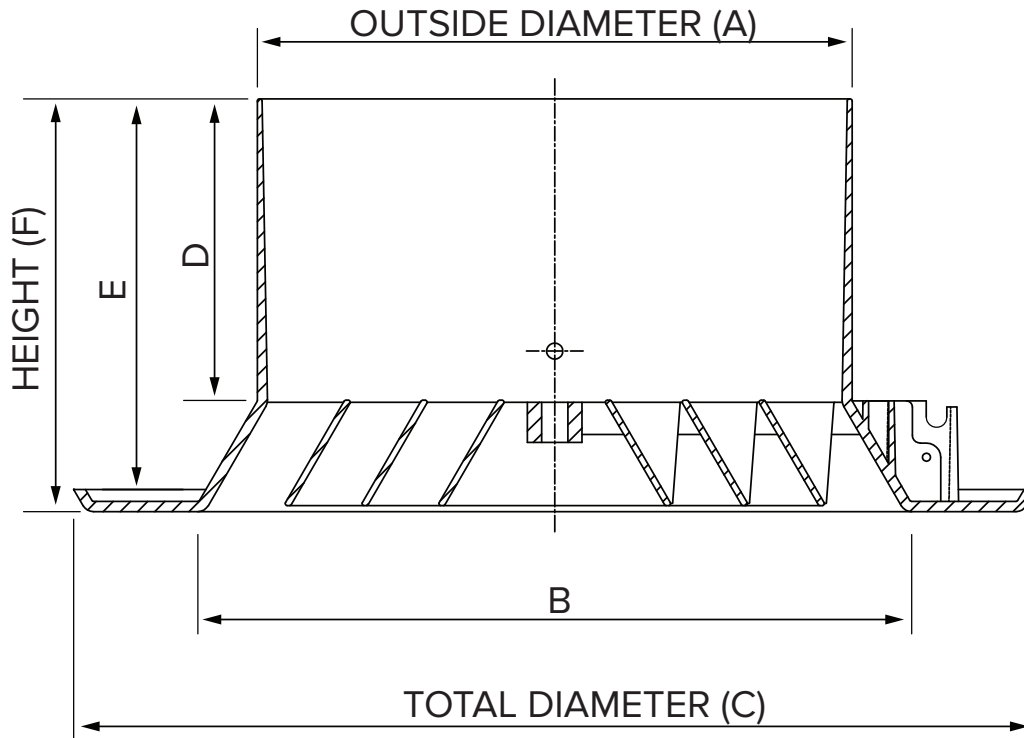
PRODUCT SPECIFICATIONS AND INFORMATION

- **Product ordering code – DJD-250**
- Constructed from high quality ABS Polymers
- Depth size 143mm
- Face size 338mm
- Neck size 248mm
- Cut out size 274mm
- Comes with a snap down fixing clip and dual clip arrangement
- Comes with adjustable butterfly damper for air balancing purposes
- Used for supply air heating, cooling and ventillation purposes
- Ideal for plaster modular ceiling applications
- Centre knob is adjusted to control the airflow including a total shut-off position
- Available standard ceiling white
- In stock
- Product suitable for domestic supply and exhaust applications, however this diffuser can also be used in commercial spaces where ceiling heights reach 2.7 metres
- Airfoil tested information available



DOWN JET DIFFUSER DJD-250

CROSS SECTIONAL DIAGRAM



MODEL	A	B	C	D	E	F
DJD150	147mm	173mm	237mm	74mm	96mm	101mm
DJD200	196mm	224mm	288mm	92mm	115mm	120mm
DJD250	248mm	274mm	338mm	118mm	138mm	143mm



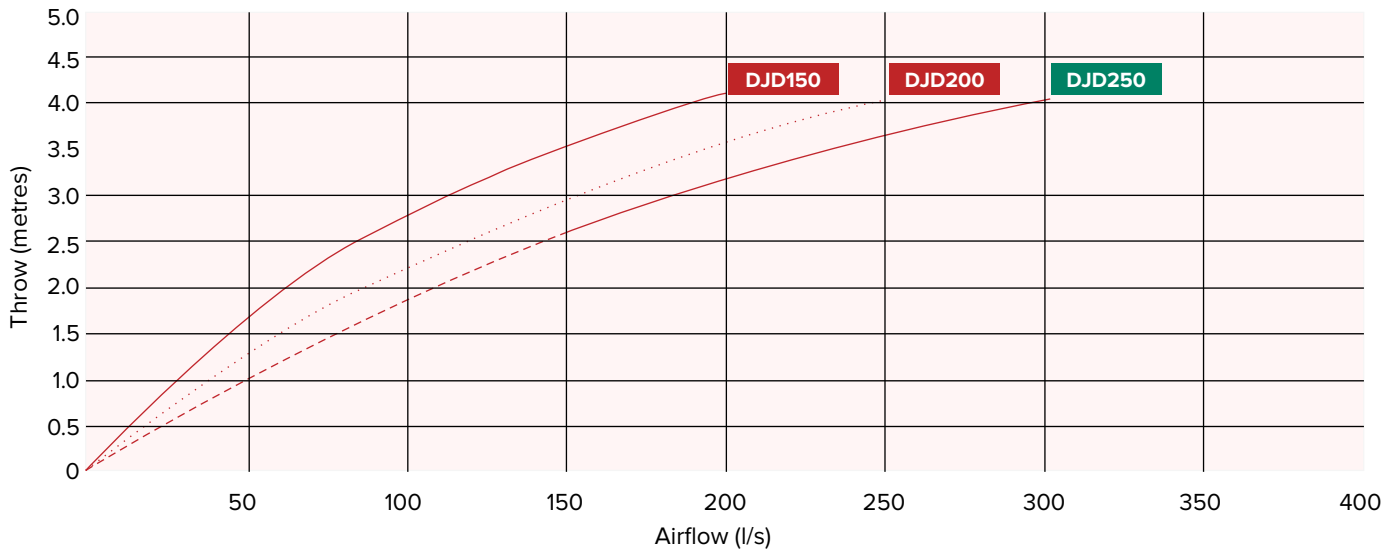
DISCLAIMER:

All product designs, data sheets and specifications presented herein are the intellectual property of Airfoil Manufacturing Pty Ltd. These designs and specifications, including but not limited to diagrams, drawings, and performance data, are protected under Australian intellectual property laws. No part of these designs and specifications may be copied, reproduced, distributed, or transmitted in any form or by any means without the prior written permission of Airfoil Manufacturing Pty Ltd. Unauthorised use or reproduction of these materials may result in legal action under Australian copyright and intellectual property laws.

DOWN JET DIFFUSER DJD-250

PERFORMANCE DATA

Static Pressure Drop vs Airflow



Throw vs Airflow

