

AIRFOIL



GRILLES
DUCT
FITTINGS

making it happen sooner...



Quality
Endorsed
Company
ISO 9001
 SAI GLOBAL



**JET DIFFUSER
JD150**



JET DIFFUSER JD150

PRODUCT DESCRIPTION AND APPLICATION

Airfoil's JD150 Australian Made Jet Diffuser is meticulously crafted from 2mm high-grade spun aluminium material. Featuring an outer spun housing frame with a size of 25mm, it comes complete with locking nuts, ensuring efficient functionality. The inner Jet Diffuser cones, welded to a sturdy 10mm aluminium threaded rod, offer seamless connection to the existing outer frame or spiral ductwork.

This highly adaptable Jet Diffuser offers dual functionality, allowing for both "Jet Mode" and "Diffusing Mode" air patterns simply by rotating the inner cone along its 180-degree axis. These versatile modes cater to spot or diverse supply air patterns, with "Jet Mode" throws typically doubling those of the "Diffusing Mode" setting in terms of air velocity.

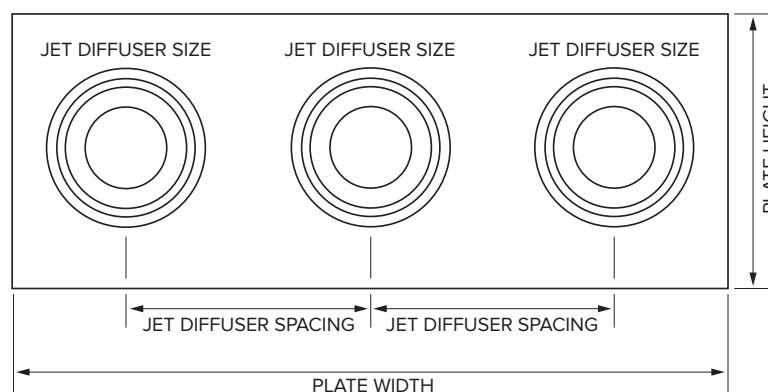
Designed for high-velocity horizontal or vertical applications, the JD150 boasts the advantage of manual adjustment in both left/right and up/down directions, facilitating positioning to suit various airflow requirements. Whether for long or short airflows, this diffuser finds its place in high ceiling spaces, square or round ductwork, and can be mounted on Airfoil's Jet Diffuser Mounting Plate (JDMP) for added convenience.

This diffuser is available in our standard white range, providing a sleek and neutral aesthetic. However, for those seeking a personalised touch, it can be powder-coated to any specified colour upon request. Perfectly suited for a variety of environments, including airports, shopping centres, universities, auditoriums, cinemas, or any open-plan areas, where efficient high-velocity horizontal or vertical discharge diffusion is essential.

JET DIFFUSER JD150

PRODUCT SPECIFICATIONS AND INFORMATION

- **Product ordering code – JD150**
- Australian Made and Designed
- Manufactured from 2mm high grade spun aluminium
- Outer flange size 25mm
- Neck rod size 150mm
- Opening size 230mm
- Frame depth 115mm
- 2 modes “ Jet Mode” or Diffusing Mode”
- The “Jet Mode” throws are typically double that of the “Diffusing Mode” setting when estimating air velocity
- Comes complete with outer spun housing frame and locking nuts
- Used for supply air heating and cooling
- Rotating inner cone manually adjusted for left/right or up/down function
- Perfect for long and short air throws
- Product can be fixed to high ceiling spaces, square and round duct work
- Optional Jet Diffuser Mounting Plate (JDMP)
- Available in 6 different sizes
- Available in our standard white powder-coated range
- Special powder-coated colours available on request
- Product suitable for airports, shopping centres, universities, auditoriums, cinemas or any opened planed areas where high velocity horizontal or vertical discharge diffusion is required
- Airfoil tested information available
- **The following metric performance data has been derived from exhaustive testing in elaborate laboratories of acoustic and vibrational engineers Louis A. Challis and Associates Proprietary Limited. Darling Street, Sydney 2000**

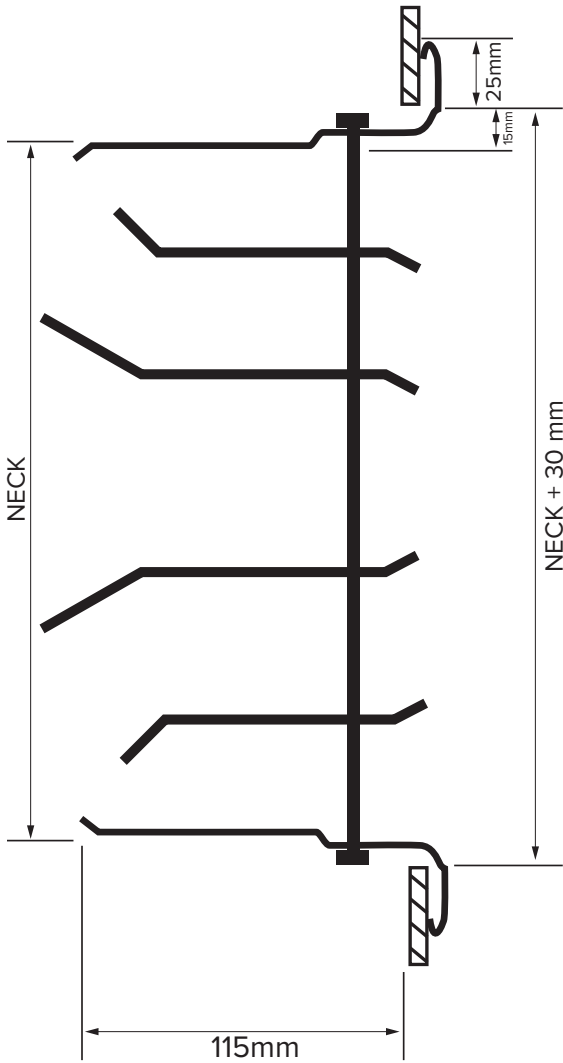


OPTIONAL JET DIFFUSER MOUNTING PLATE (JDMP)

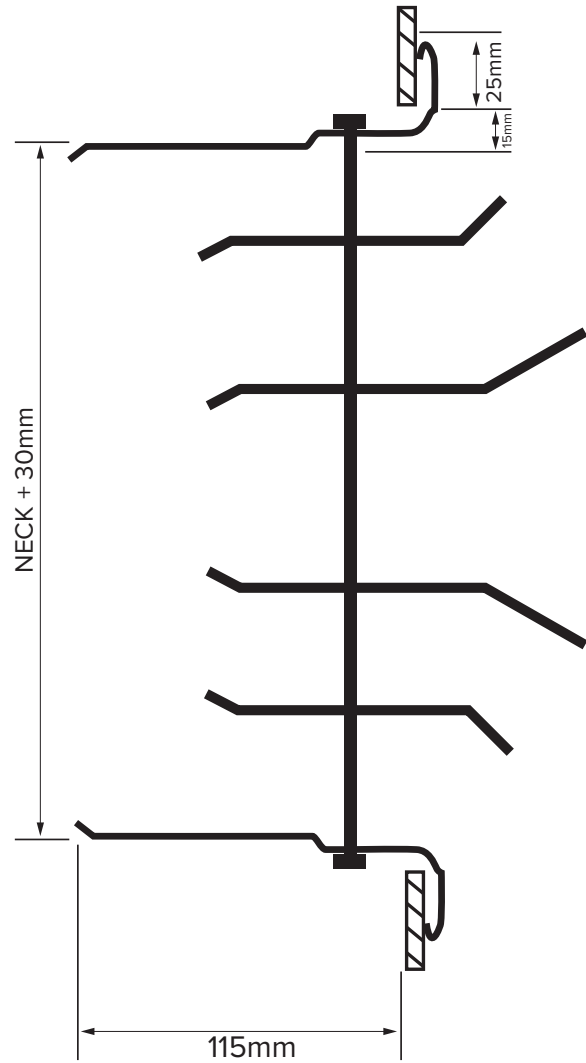
JET DIFFUSER JD150

CROSS SECTIONAL DIAGRAM

JET MODE



DIFFUSION MODE



DISCLAIMER:

All product designs, data sheets and specifications presented herein are the intellectual property of Airfoil Manufacturing Pty Ltd. These designs and specifications, including but not limited to diagrams, drawings, and performance data, are protected under Australian intellectual property laws. No part of these designs and specifications may be copied, reproduced, distributed, or transmitted in any form or by any means without the prior written permission of Airfoil Manufacturing Pty Ltd. Unauthorised use or reproduction of these materials may result in legal action under Australian copyright and intellectual property laws.

JET DIFFUSER JD150

PERFORMANCE DATA

JD150	Lit / sec		50	75	100	125	150
	NR		28	34	38	45	>50
	Static Pressure Pascals		15	28	38	55	70
	Throw	JET	3	4.2	6	7.3	8.6
	metres	DIFFUSION	1.5	2.1	3	3.7	4.3

JET DIFFUSER - OPTIONAL SIZES

JD150	Lit / sec		50	75	100	125	150
	NR		28	34	38	45	>50
	Static Pressure Pascals		15	28	38	55	70
	Throw	JET	3	4.2	6	7.3	8.6
	metres	DIFFUSION	1.5	2.1	3	3.7	4.3

JD200	Lit / sec		100	125	150	175	200
	NR		26	30	34	39	43
	Static Pressure Pascals		15	23	33	45	60
	Throw	JET	4.5	5.5	6.5	8	9
	metres	DIFFUSION	2.3	2.8	3.3	4	4.5

JD250	Lit / sec		150	200	250	300	400
	NR		20	27	33	37	46
	Static Pressure Pascals		8	15	23	33	60
	Throw	JET	5	7	8.3	10.2	12.7
	metres	DIFFUSION	2.5	3.5	4.2	5.1	4.6

JD300	Lit / sec		250	300	400	500	600
	NR		27	28	34	39	45
	Static Pressure Pascals		10	15	25	40	58
	Throw	JET	6.3	7	10.2	13.3	16
	metres	DIFFUSION	3.2	3.8	5.1	6.7	8

JD350	Lit / sec		300	400	600	800	1000
	NR		-	25	35	43	> 50
	Static Pressure Pascals		5	12	32	60	103
	Throw	JET	6.5	8.8	13.8	18	23
	metres	DIFFUSION	3.3	4.4	6.9	9	11.5

JD400	Lit / sec		400	600	800	1000	1200
	NR		-	28	35	43	> 50
	Static Pressure Pascals		5	15	33	60	145
	Throw	JET	7.8	12	16	20	24
	metres	DIFFUSION	3.9	6	8	10	12