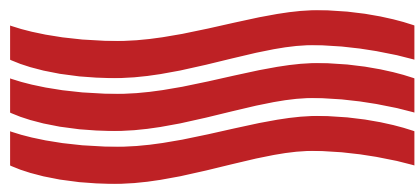


AIRFOIL

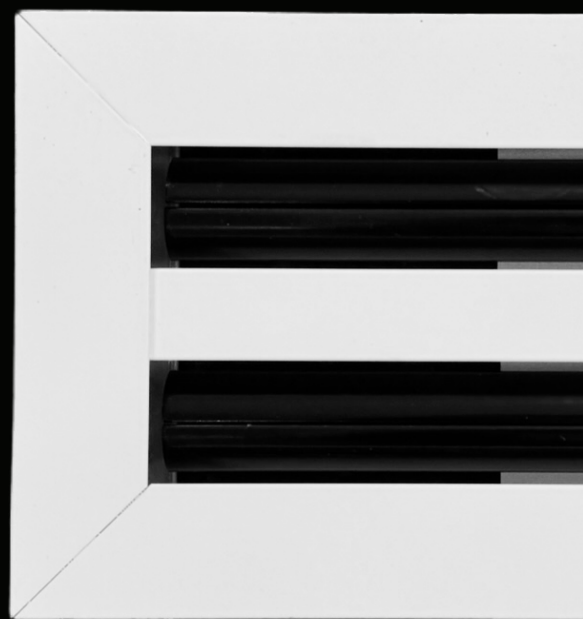


GRILLES
DUCT
FITTINGS

making it happen sooner...



Quality
Endorsed
Company
ISO 9001
 SAI GLOBAL



**LINEAR SLOT DIFFUSER
LSD20**



LINEAR SLOT DIFFUSER LSD20

PRODUCT DESCRIPTION AND APPLICATION

Airfoil's Australian Made premium Linear Slot Diffuser (LSD20) offers a versatile method of air diffusion. Constructed from Airfoil's engineered aluminium extrusion, the LSD20 is suitable for both supply and return air applications. Featuring a sleek design with an overall frame size of 28mm, external neck-to-flange size of 18mm, and a depth of 50mm, this diffuser is typically ceiling-mounted for a clean linear appearance.

The internal Black "J" Blades of the slots are housed within a 19mm "T" Bar style extrusion. Each blade is fully adjustable up to 180°, allowing for flexible air throw patterns, whether vertical or horizontal. Airfoil's superior 25mm slot opening design ensures greater air volume per slot and reduced noise, resulting in more effective room air circulation.

With a maximum single length size of 4.5 metres, the LSD20 can accommodate up to 8 slots. For longer installations exceeding 5 slots, we recommend constructing the diffuser in 2.4 metre sections due to weight restrictions during installation.

Optionally, the diffuser can be crafted with a 45° "Mitred End" (ME) to transition into square or rectangular perimeter applications. For extended metered runs, Airfoil provides Joining Strips (JS) that align and join straight cut ends, creating a seamless continuous length of linear slot.

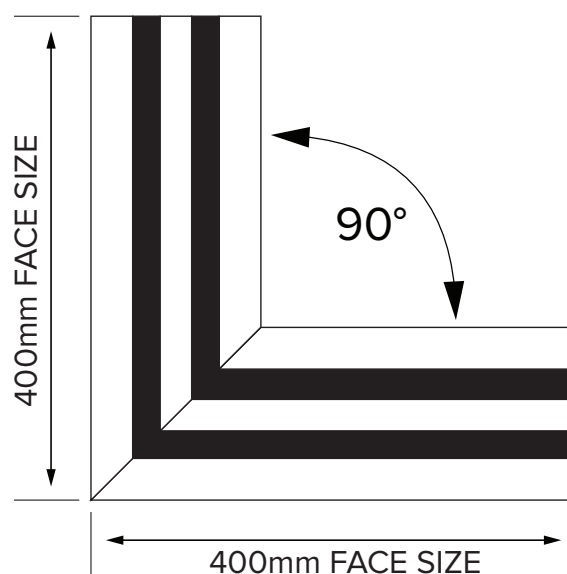
Available in our standard white powder-coated finish or Natural Anodised aluminium silver finish, the LSD20 can also be powder-coated to any specified colour upon request. Corresponding Linear Boots (LB) are available to suit all slot widths and duct diameters.

This highly sought-after mode of air diffusion is ideal for perimeter office spaces, corridors, airports, hospitals, shopping centres, cinemas, and various domestic or commercial applications requiring a variable air throw pattern.

LINEAR SLOT DIFFUSER LSD20

PRODUCT SPECIFICATIONS AND INFORMATION

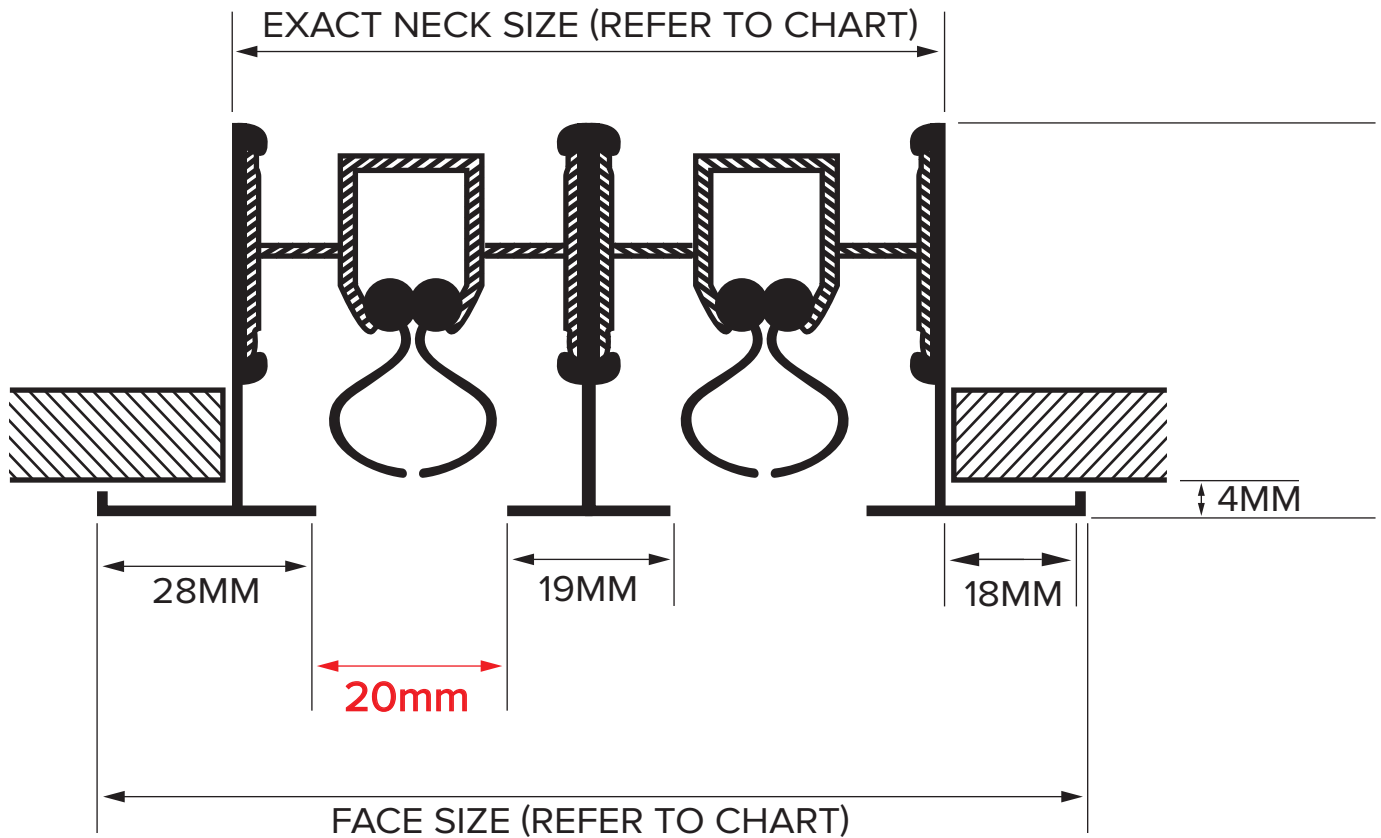
- **Product ordering code – LSD20**
- Australian Made and Designed
- Aluminium construction
- Used for supply and return air applications
- Manufactured to any length (max. 1 piece length = 4.5m)
- Opening slot size of 20mm
- Overall frame size of 28mm and an external neck-to-flange size of 18mm
- Frame depth 50mm and “T” Bar size of 19mm
- Provides any variable air throw pattern from a vertical or horizontal position
- Ceiling mounted
- Offers clean linear line appearance
- Black “J” Blades are fully adjustable to 180°
- Comes complete with Airfoil’s Joining Strips for neat alignment
- Available in our standard white powdercoated range
- Special powder-coated colours available on request
- Product suitable for perimeter office spaces, corridors, airports, hospitals, shopping centres, cinemas and any domestic or commercial application
- Available with Airfoil’s Linear Boot (LB) manufactured to suit slot width
- Airfoil tested information available
- **The following metric performance data has been derived from exhaustive testing in elaborate laboratories of acoustic and vibrational engineers Louis A. Challis and Associates Proprietary Limited. Darling Street, Sydney 2000**



90° MITRED CEILING CORNER PIECE

LINEAR SLOT DIFFUSER LSD20

CROSS SECTIONAL DIAGRAM



DISCLAIMER:

All product designs, data sheets and specifications presented herein are the intellectual property of Airfoil Manufacturing Pty Ltd. These designs and specifications, including but not limited to diagrams, drawings, and performance data, are protected under Australian intellectual property laws. No part of these designs and specifications may be copied, reproduced, distributed, or transmitted in any form or by any means without the prior written permission of Airfoil Manufacturing Pty Ltd. Unauthorised use or reproduction of these materials may result in legal action under Australian copyright and intellectual property laws.

LINEAR SLOT DIFFUSER LSD20

SLOT ORDERING CODES

PRODUCT CODE	SLOT	SLOT WIDTH	EXACT NECK SIZE	FACE SIZE
LSD120	1	20mm	39mm	74mm
LSD220	2	20mm	78mm	113mm
LSD320	3	20mm	116mm	151mm
LSD420	4	20mm	155mm	190mm
LSD520	5	20mm	193mm	228mm
LSD620	6	20mm	231mm	266mm
LSD720	7	20mm	269mm	304mm
LSD820	8	20mm	307mm	342mm

PERFORMANCE DATA - LSD20 SLOT WIDTH SUPPLY APPLICATION

No. Slots	Total Press.	Horiz.	1		4		9		16		24		35		49		62	
	Pascals.	Vert.	1	2	6	10	15	21	29	37								
1	Lit / sec / metre		9	19	28	37	47	55	65	75								
	NR		-	-	-	21	27	33	38	42								
	Throw in metres	Hor. Vert.	0.4 0.6	1 1.8	0.4 3.2	2.8 3.8	1 4.4	3.4 4.6	1.6 4.6	4 5	2.4 5.2	4.6 5.2	2.8 5	5 5.2	3.2 5.2	3.4 5.2	8	
2	Lit / sec / metre		19	37	55	75	95	115	130	150								
	NR		-	-	16	26	32	38	43	47								
	Throw in metres	Hor. Vert.	0.4 1.2	1.6 2.8	0.6 4.4	4 5.2	1.6 5.8	5 6.4	2.8 7	8 6.4	3.4 7	6.4 6.4	4 6.4	7 7	4.4 7	6 7.4	4.6 7.4	82
3	Lit / sec / metre		28	55	85	115	140	170	195	225								
	NR		-	-	19	29	35	41	46	50								
	Throw in metres	Hor. Vert.	0.4 1.8	2.4 3.4	1.2 5.2	5 6.2	2.2 6.4	6.2 7	3.4 7	7 8	4.4 8	8 8.6	5 8.6	5.6 9.2	5.6 9.2	5.8 9.2	9.8	
4	Lit / sec / metre		37	75	115	150	185	225	260	300								
	NR		-	-	21	31	37	43	48	52								
	Throw in metres	Hor. Vert.	0.4 1.8	3.2 4	1.6 5.8	5.8 7.4	3.2 8.2	7 7.4	4 8.2	8.2 9.2	5 9.2	5.8 9.8	5.8 9.8	6.4 9.8	6.4 10.8	6.8 10.4	11.4	
5	Lit / sec / metre		47	95	140	185	235	280	325	375								
	NR		-	-	22	32	38	44	49	53								
	Throw in metres	Hor. Vert.	0.6 2.2	3.4 4.4	1.8 6.4	6.4 8.2	3.4 9.2	8 9.2	4.6 10.2	9.2 10.2	5.6 10.2	5.6 10.2	6.4 11	7 11	7 12	7.6 11.6	12.8	
6	Lit / sec / metre		55	115	170	225	280	335	390	445								
	NR		-	-	23	33	39	45	50	54								
	Throw in metres	Hor. Vert.	0.6 2.4	3.8 4.6	2.4 7	7.4 8.6	3.8 9.2	8.6 9.2	5 10.2	9.8 10.2	6.2 10.2	11 11	7 12.2	7.6 12.2	8 12.2	8 12.8	13.8	
7	Lit / sec / metre		65	130	195	260	325	390	455	520								
	NR		-	13	24	34	40	46	51	55								
	Throw in metres	Hor. Vert.	1 2.4	3.8 5	2.8 7.4	7.6 9.8	4 9.8	9.2 9.8	5.6 11	10.8 11	6.8 12	7.6 12	7.6 13.2	8.2 12.8	8.2 14	8.8 13.8	15	
8	Lit / sec / metre		75	150	225	300	375	445	520	595								
	NR		-	14	25	35	41	47	52	56								
	Throw in metres	Hor. Vert.	1.2 2.4	4.4 5	2.8 7.4	8.2 10.2	4.4 10.2	9.8 11.4	5.8 11.4	11.4 12.8	7.4 12.8	8 12.8	8 13.8	8.8 15	8.8 15	9.2 14.6	16	

LINEAR SLOT DIFFUSER LSD20

PERFORMANCE DATA - LSD20 SLOT WIDTH RETURN APPLICATION

No. Slot	Negative Static Pressure in Pascals	5	10	18	27	40	54	70	112
1	Lit / sec / metre	15	31	47	65	80	95	110	125
	NR	-	-	21	29	35	40	44	48
2	Lit / sec / metre	31	65	95	125	155	185	220	250
	NR	-	13	24	32	38	43	47	51
3	Lit / sec / metre	47	95	140	185	235	280	325	375
	NR	-	15	26	34	40	45	49	53
4	Lit / sec / metre	65	125	185	250	310	375	435	495
	NR	-	16	27	35	41	46	50	54
5	Lit / sec / metre	80	155	235	310	390	465	545	620
	NR	-	17	28	36	42	47	51	55
6	Lit / sec / metre	95	185	280	375	465	560	650	745
	NR	-	18	29	37	43	48	52	56
7	Lit / sec / metre	110	220	325	435	545	650	760	870
	NR	-	19	30	38	44	49	53	57
8	Lit / sec / metre	125	250	375	495	620	745	870	995
	NR	-	19	30	38	44	49	53	57

