

AIRFOIL

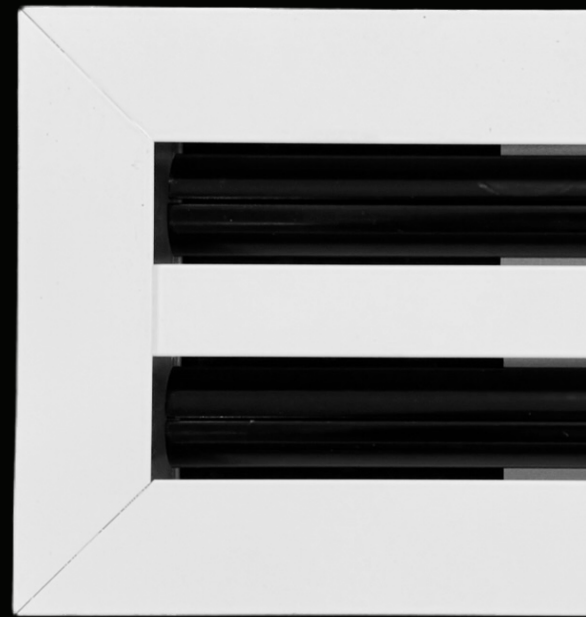


GRILLES
DUCT
FITTINGS

making it happen sooner...



Quality
Endorsed
Company
ISO 9001
 SAI GLOBAL



**LINEAR SLOT DIFFUSER
LSD25**



LINEAR SLOT DIFFUSER LSD25

PRODUCT DESCRIPTION AND APPLICATION

Airfoil's Australian Made premium Linear Slot Diffuser (LSD25) offers a versatile method of air diffusion. Constructed from Airfoil's engineered aluminium extrusion, the LSD25 is suitable for both supply and return air applications. Featuring a sleek design with an overall frame size of 28mm, external neck-to-flange size of 18mm, and a depth of 50mm, this diffuser is typically ceiling-mounted for a clean linear appearance.

The internal Black "J" Blades of the slots are housed within a 19mm "T" Bar style extrusion. Each blade is fully adjustable up to 180°, allowing for flexible air throw patterns, whether vertical or horizontal. Airfoil's superior 25mm slot opening design ensures greater air volume per slot and reduced noise, resulting in more effective room air circulation.

With a maximum single length size of 4.5 metres, the LSD25 can accommodate up to 8 slots. For longer installations exceeding 5 slots, we recommend constructing the diffuser in 2.4 metre sections due to weight restrictions during installation.

Optionally, the diffuser can be crafted with a 45° "Mitred End" (ME) to transition into square or rectangular perimeter applications. For extended metered runs, Airfoil provides Joining Strips (JS) that align and join straight cut ends, creating a seamless continuous length of linear slot.

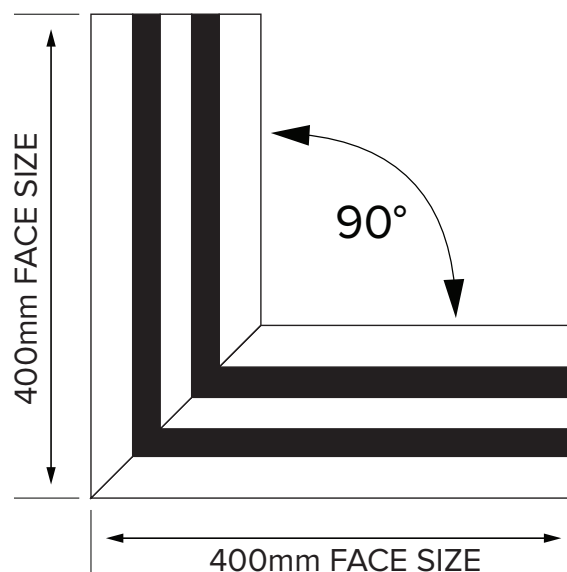
Available in our standard white powder-coated finish or Natural Anodised aluminium silver finish, the LSD25 can also be powder-coated to any specified colour upon request. Corresponding Linear Boots (LB) are available to suit all slot widths and duct diameters.

This highly sought-after mode of air diffusion is ideal for perimeter office spaces, corridors, airports, hospitals, shopping centres, cinemas, and various domestic or commercial applications requiring a variable air throw pattern.

LINEAR SLOT DIFFUSER LSD25

PRODUCT SPECIFICATIONS AND INFORMATION

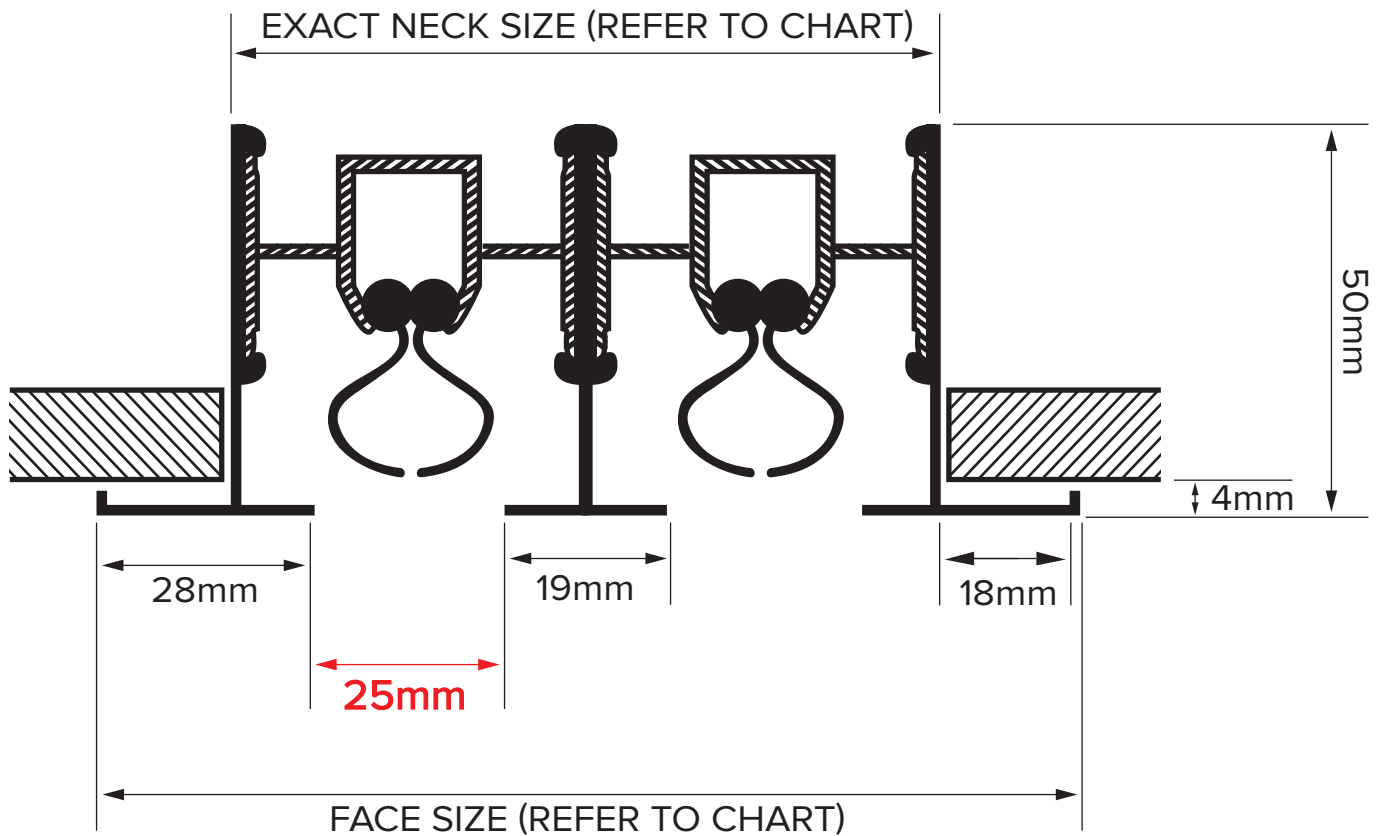
- **Product ordering code – LSD25**
- Australian Made and Designed
- Aluminium construction
- Used for supply and return air applications
- Manufactured to any length (max. 1 piece length = 4.5m)
- Opening slot size of 25mm
- Overall frame size of 28mm and an external neck-to-flange size of 18mm
- Frame depth 50mm and “T” Bar size of 19mm
- Provides any variable air throw pattern from a vertical or horizontal position
- Ceiling mounted
- Offers clean linear line appearance
- Black “J” Blades are fully adjustable to 180 degrees
- Comes complete with Airfoil’s Joining Strips for neat alignment
- Available in our standard white powdercoated range
- Special powdercoated colours available on request
- Product suitable for perimeter office spaces, corridors, airports, hospitals, shopping centres, cinemas and any domestic or commercial application
- Available with Airfoil’s Linear Boot (LB) manufactured to suit slot width
- Airfoil tested information available
- **The following metric performance data has been derived from exhaustive testing in elaborate laboratories of acoustic and vibrational engineers Louis A. Challis and Associates Proprietary Limited. Darling Street, Sydney 2000**



90° MITRED CEILING CORNER PIECE

LINEAR SLOT DIFFUSER LSD25

CROSS SECTIONAL DIAGRAM



DISCLAIMER:

All product designs, data sheets and specifications presented herein are the intellectual property of Airfoil Manufacturing Pty Ltd. These designs and specifications, including but not limited to diagrams, drawings, and performance data, are protected under Australian intellectual property laws. No part of these designs and specifications may be copied, reproduced, distributed, or transmitted in any form or by any means without the prior written permission of Airfoil Manufacturing Pty Ltd. Unauthorised use or reproduction of these materials may result in legal action under Australian copyright and intellectual property laws.

LINEAR SLOT DIFFUSER LSD25

SLOT ORDERING CODES

PRODUCT CODE	SLOT	SLOT WIDTH	EXACT NECK SIZE	FACE SIZE
LSD125	1	25mm	46mm	81mm
LSD225	2	25mm	91mm	126mm
LSD325	3	25mm	136mm	171mm
LSD425	4	25mm	181mm	216mm
LSD525	5	25mm	226mm	261mm
LSD625	6	25mm	271mm	306mm
LSD725	7	25mm	316mm	351mm
LSD825	8	25mm	361mm	396mm

PERFORMANCE DATA - LSD25 SLOT WIDTH SUPPLY APPLICATION

No. Slots	Total Press.	Horiz.	1		4		9		16		24		35		49		62	
	Pascals.	Vert.	1	2	6	10	15	21	29	37								
1	Lit / sec / metre		12	25	37	50	65	75	90	100								
	NR		-	-	16	25	32	37	42	46								
	Throw in metres	Hor. Vert.	0.1 0.6	1 2.4	0.4 3.8	3.4 4.4	1 4.6	4 4.6	1.8 4.6	4.6 5.2	2.8 5.2	5.2 5.8	3.4 5.6	5.8 5.8	4.8 5.6	6.2 5.8	3.8 5.8	6.8 5.8
2	Lit / sec / metre		25	50	75	100	125	150	175	200								
	NR		-	-	21	30	37	42	47	51								
	Throw in metres	Hor. Vert.	0.4 1.6	1.8 3.4	1 5	4.6 5.8	1.8 5.8	5.8 6.8	3.4 6.8	6.8 7.4	4.4 7.4	7.4 8.2	4.6 8.2	8.2 8.2	5 8.2	8.2 5.6	5.6 9.6	9.6 8.6
3	Lit / sec / metre		37	75	115	150	185	225	260	300								
	NR		-	-	16	24	33	40	45	50								
	Throw in metres	Hor. Vert.	0.4 2.2	3.2 4	1.2 4	5.8 6.2	3.2 7	7 7.4	4 8.2	8.2 7.4	5 8.2	9.2 8.2	5.8 8.8	9.8 8.8	6.2 9.8	10.8 10.4	6.8 10.4	11.4 10.4
4	Lit / sec / metre		50	100	150	200	250	300	350	400								
	NR		-	-	13	26	35	42	47	52								
	Throw in metres	Hor. Vert.	0.6 -	3.4 13	1.8 26	6.8 35	3.8 35	8.2 35	4.6 42	9.6 42	6.2 47	10.4 47	6.8 52	11.4 52	7.4 52	12.2 56	7.6 56	13.2 56
5	Lit / sec / metre		65	125	185	250	310	375	435	495								
	NR		-	-	14	27	36	43	48	53								
	Throw in metres	Hor. Vert.	0.6 2.8	4 5.2	2.4 7.6	7.4 9.6	4 9.6	9.2 10.4	5.6 10.4	10.4 11.6	6.8 10.4	11.6 11.6	7.4 12.8	12.8 11.6	8 12.6	13.8 12.6	8.6 13.2	14.6 13.2
6	Lit / sec / metre		75	150	225	300	375	445	520	595								
	NR		-	-	15	28	37	44	49	54								
	Throw in metres	Hor. Vert.	1 2.8	4.4 5.8	2.8 8.2	8.2 8.6	4.6 8.6	9.8 10.4	5.8 10.4	11.4 11.6	7.4 11.6	12.8 11.6	8.2 12.6	13.8 12.6	8.8 13.8	15 13.8	9.2 14.6	16 14.6
7	Lit / sec / metre		90	175	260	350	435	520	610	695								
	NR		-	-	16	29	38	45	50	55								
	Throw in metres	Hor. Vert.	1 3.2	4.6 6.2	3.2 8.6	8.6 9.2	4.6 11	10.8 11	6.4 12.2	12.2 11	8 12.6	13.8 13.8	8.8 13.8	15 14.6	9.6 14.6	16.2 16	10.2 16	17.2 16
8	Lit / sec / metre		100	200	300	400	495	595	695	795								
	NR		-	-	17	30	39	46	51	56								
	Throw in metres	Hor. Vert.	1.2 3.4	5 6.8	3.4 9.6	9.6 9.8	5 11.4	11.4 12	6.8 13.2	13.2 12	8.6 13.2	14.6 14.6	9.2 16	16 16	10.2 17.2	17.2 16	10.8 18.4	18.4 16.8

LINEAR SLOT DIFFUSER LSD25

PERFORMANCE DATA - LSD25 SLOT WIDTH RETURN APPLICATION

No. Slot	Negative Static Pressure in Pascals	5	10	18	27	40	54	70	112
1	Lit / sec / metre	31	47	65	80	95	110	125	155
	NR	-	14	22	28	33	37	41	47
2	Lit / sec / metre	65	95	125	155	185	220	250	310
	NR	-	17	25	31	36	40	44	50
3	Lit / sec / metre	95	140	185	235	280	325	375	465
	NR	-	19	27	33	38	42	46	52
4	Lit / sec / metre	125	185	250	310	375	435	495	620
	NR	-	20	28	34	39	43	47	53
5	Lit / sec / metre	155	235	310	390	465	545	620	775
	NR	-	21	29	35	40	44	48	54
6	Lit / sec / metre	185	280	375	465	560	650	745	930
	NR	-	22	30	36	41	45	49	55
7	Lit / sec / metre	220	325	435	545	650	760	870	1085
	NR	-	23	31	37	42	46	50	56
8	Lit / sec / metre	250	375	495	620	745	870	995	1240
	NR	-	23	31	37	42	46	50	56

