

AIRFOIL

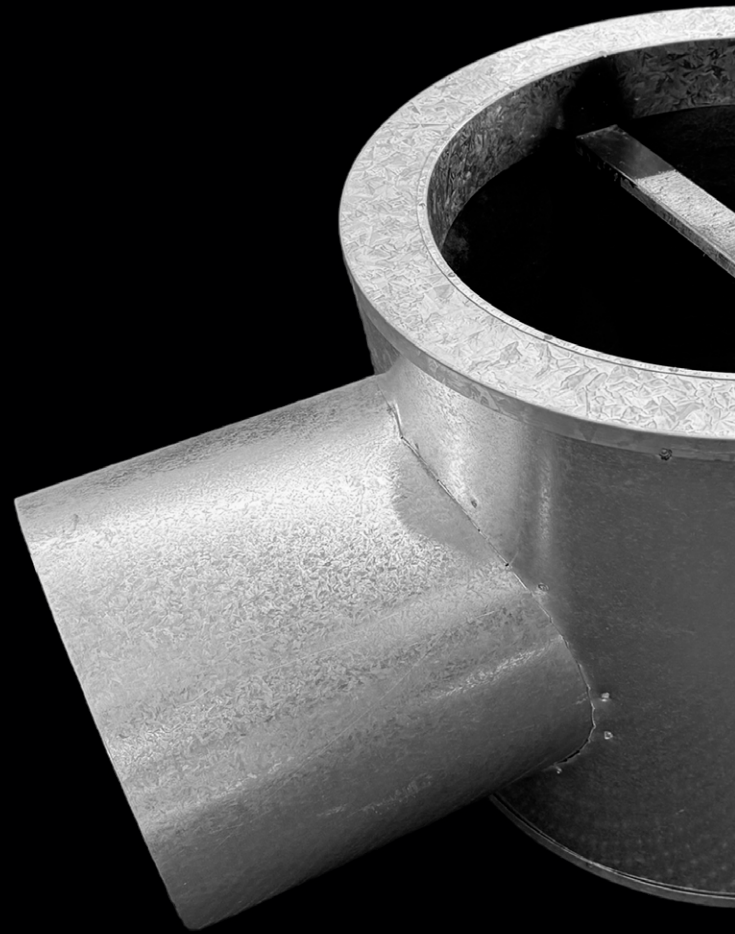


GRILLES
DUCT
FITTINGS

making it happen sooner...



Quality
Endorsed
Company
ISO 9001
 SAI GLOBAL



**METAL CYLINDER
SWIRL PLENUM
CSP**



METAL CYLINDER SWIRL PLENUM CSP

PRODUCT DESCRIPTION AND APPLICATION

Airfoil's Australian Made Metal Cylinder Swirl Plenum (CSP) is manufactured from the finest 0.55 galvanised steel and is designed to compliment Airfoils' Round Radial Swirl Diffuser **CDS-DM350R**. Featuring an internal "T" Brace, the Cylinder Swirl Plenum (CPS) is supplied with a root nut that matches the centre swirl screw, ensuring easy installation.

The Cylinder Swirl Plenum offers versatile configurations, accommodating a maximum depth of 600mm and featuring a range of side entry spigot placements. The spigot is engineered to connect with different flexible duct diameters or can be directly attached into Spiral Metal Ducts. With an opening side of 365mm, the plenum seamlessly integrates with the Round Radial Swirl Diffuser CDS-DM350R. This ensures optimal airflow distribution and compatibility with various HVAC systems.

This product is perfectly designed for placement in open ceiling areas for an aesthetically pleasing appearance whilst delivering supply air to a designated area. Available in a range of options, the CPS can be tailored to suit specific needs. Whether opting for an uninsulated (Plain) version or selecting from a variety of standard insulation types such as 5mm or 10mm Rubber, 13mm or 25mm Polyester, or 13mm or 25mm Black-faced Fibreglass and 25mm Perforated Black-faced Fibreglass, Airfoil provides flexibility to meet diverse requirements. Additionally, custom insulation options are available upon request to cater to unique specifications.

Designed to seamlessly integrate with Airfoils' Round Swirl Diffuser, this Cylinder Swirl Plenum (CPS) is suitable for any commercial setting where aesthetic, thermal and acoustic requirements are paramount. It stands as a testament to Airfoil's commitment to excellence in Sheet Metal solutions.

METAL CYLINDER SWIRL PLENUM CSP

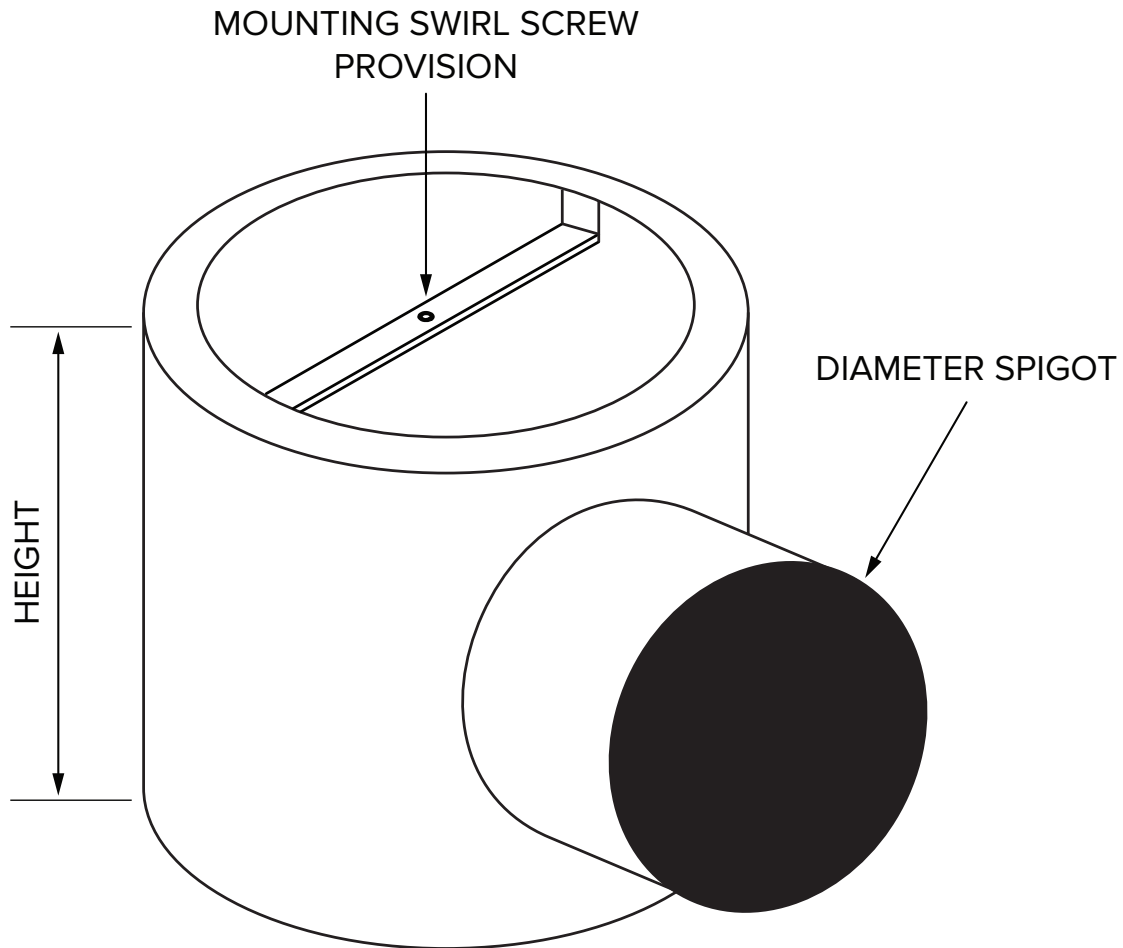
PRODUCT SPECIFICATIONS AND INFORMATION

- **Product ordering code – CSP**
- Australian Made and Designed
- Manufactured from 0.55mm Australian galvanised steel
- Opening size of 365mm
- Maximum depth of 600mm
- Designed for Round Radial Swirl Diffuser **CDS-DM350R**
- Comes complete with internal “T” Brace
- Comes complete with centre swirl screw for easy installation
- Used for supply air heating and cooling
- Mounted behind grille
- Thermal and Acoustic qualities
- Available in Plain, Rubber (5mm/10mm), Polyester (13mm/25mm), Black-faced Fibreglass (13mm/25mm) or Perforated Black-faced Fibreglass (25mm)
- Spigot sizes available are 100mm, 150mm, 200mm, 250mm, 300mm, 350mm, 400mm, 450mm, 500mm, 550mm and 600mm diameters
- Suitable for any commercial setting
- Airfoil information available



METAL CYLINDER SWIRL PLENUM CSP

CROSS SECTIONAL DIAGRAM



DISCLAIMER:

All product designs, data sheets and specifications presented herein are the intellectual property of Airfoil Manufacturing Pty Ltd. These designs and specifications, including but not limited to diagrams, drawings, and performance data, are protected under Australian intellectual property laws. No part of these designs and specifications may be copied, reproduced, distributed, or transmitted in any form or by any means without the prior written permission of Airfoil Manufacturing Pty Ltd. Unauthorised use or reproduction of these materials may result in legal action under Australian copyright and intellectual property laws.