

AIRFOIL

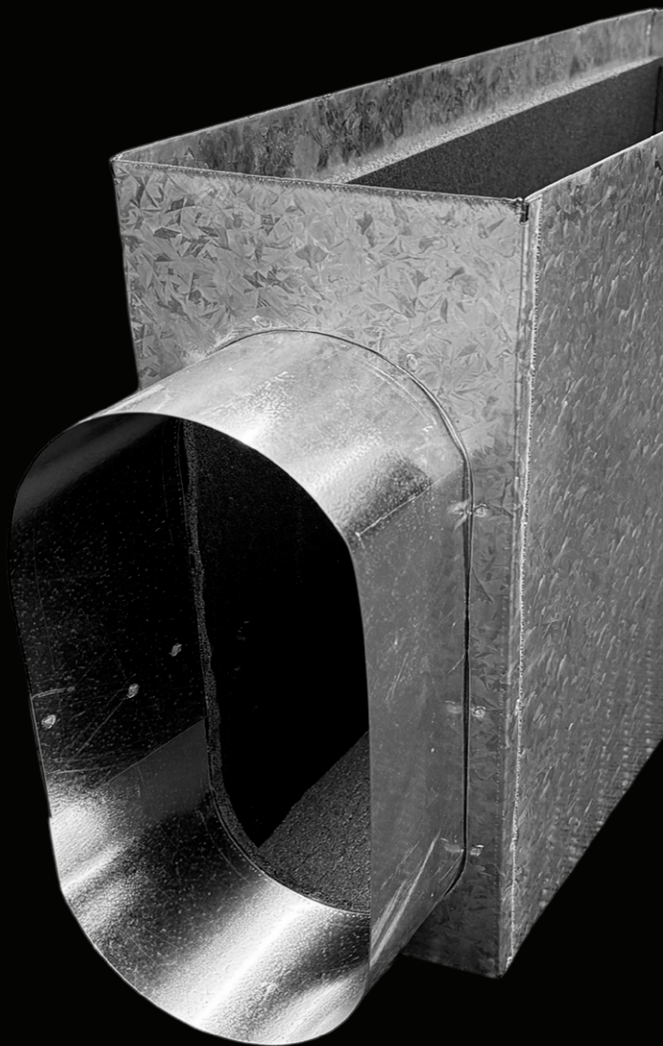


GRILLES
DUCT
FITTINGS

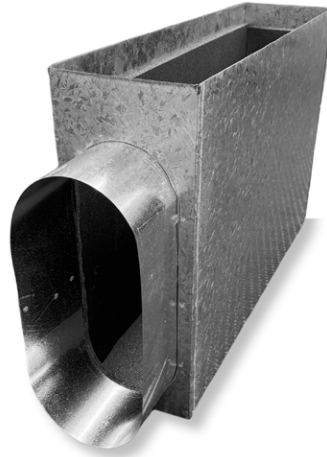
making it happen sooner...



Quality
Endorsed
Company
ISO 9001
 SAI GLOBAL



METAL END BOOT
EB



METAL END BOOT EB

PRODUCT DESCRIPTION AND APPLICATION

Airfoil's Australian Made Metal End Boot (EB) is manufactured from 0.55 mm galvanised sheet metal to the highest standard. They have a spigot placement **adjacent to the open end**, but differs to the Side Boot (SB) due to the spigot placement being on the **short side / end** of the box. This particular configuration is useful in areas of restricted ceiling space. The Metal End Boot is compatible with all Airfoil's grille range.

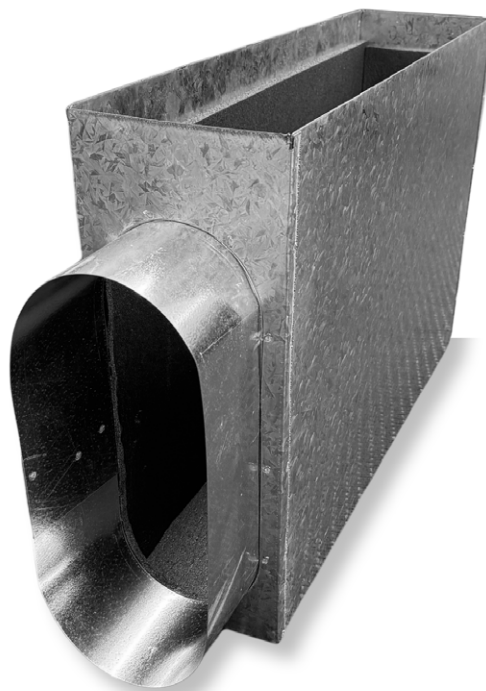
Available in a range of options, the Metal End Boot can be tailored to suit specific needs. Whether opting for an uninsulated (Plain) version or selecting from a variety of standard insulation types such as 5mm or 10mm Rubber, 13mm or 25mm Polyester, or 13mm or 25mm Black-faced Fibreglass and 25mm Perforated Black-faced Fibreglass, Airfoil provides flexibility to meet diverse requirements. Additionally, custom insulation options are available upon request to cater to unique specifications.

Designed to seamlessly integrate with Airfoils' Supply and Return Air Grille range this quality Metal End Boot ensures compatibility and efficiency. Suitable for both commercial and domestic settings, where thermal and acoustic requirements are paramount, it stands as a testament to Airfoil's commitment to excellence in Sheet Metal solutions.

METAL END BOOT EB

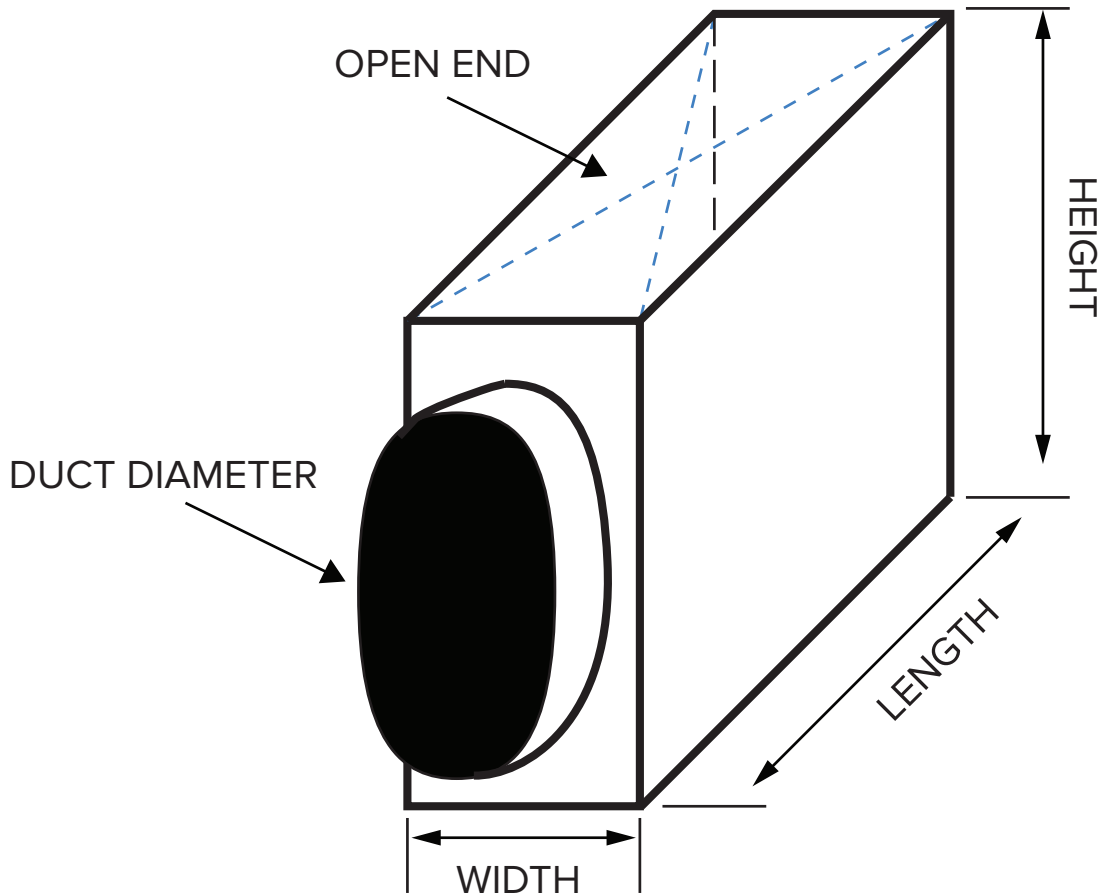
PRODUCT SPECIFICATIONS AND INFORMATION

- **Product ordering code – EB**
- Australian Made and Designed
- Manufactured from 0.55mm Australian galvanised steel
- Custom box heights manufactured to suit grille requirements
- Spigot placement is adjacent to the open end on the boots **short side / end**
- Used for supply and return air heating and cooling
- Mounted behind grille
- Acoustic qualities
- Thermal qualities
- Available in Plain, Rubber (5mm/10mm), Polyester (13mm/25mm), Black-faced Fibreglass (13mm/25mm) or Perforated Black-faced Fibreglass (25mm)
- Spigot sizes available are 100mm, 150mm, 200mm, 250mm, 300mm, 350mm, 400mm, 450mm, 500mm, 550mm and 600mm diameters
- Customised oval spigots available to suit varying box height restrictions
- Suitable for both commercial and domestic settings
- Airfoil information available



METAL END BOOT EB

CROSS SECTIONAL DIAGRAM



SPIGOT PLACEMENTS ON THE **SHORT SIDE / END** END BOOT (EB)



DISCLAIMER:

All product designs, data sheets and specifications presented herein are the intellectual property of Airfoil Manufacturing Pty Ltd. These designs and specifications, including but not limited to diagrams, drawings, and performance data, are protected under Australian intellectual property laws. No part of these designs and specifications may be copied, reproduced, distributed, or transmitted in any form or by any means without the prior written permission of Airfoil Manufacturing Pty Ltd. Unauthorised use or reproduction of these materials may result in legal action under Australian copyright and intellectual property laws.