

AIRFOIL



GRILLES
DUCT
FITTINGS

making it happen sooner...

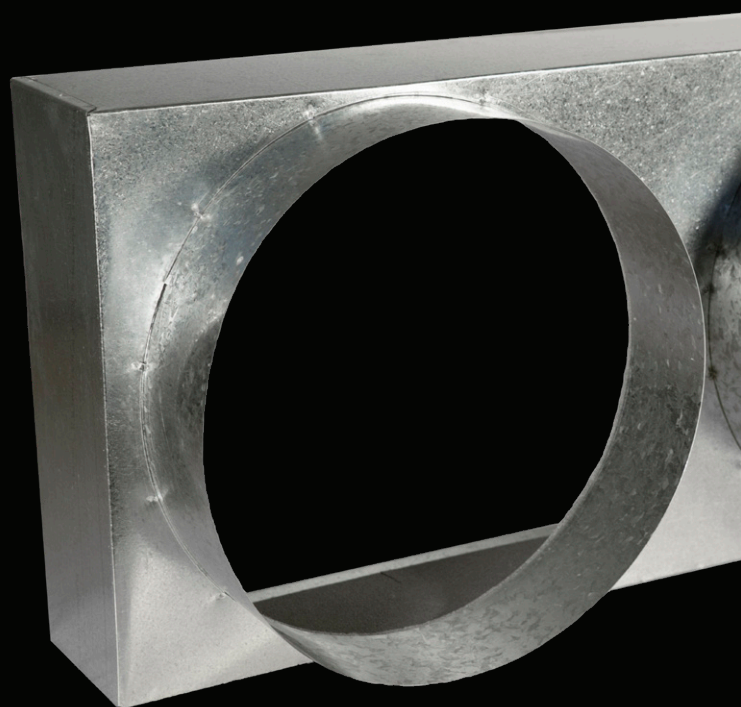


**AUSTRALIAN MADE
AND OWNED**



Quality
Endorsed
Company

ISO 9001



**RETURN AIR INSULATED
PLENUM BOX - TOP ENTRY
RAB-TE**



RETURN AIR INSULATED PLENUM BOX - TOP ENTRY RAB-TE

PRODUCT DESCRIPTION AND APPLICATION

Airfoil's Australian Made Return Air Insulated Plenum Boxes Top Entry (RAB-TE) are meticulously crafted from premium 0.55mm Australian Galvanised sheet metal. The primary function of the (RAB-TE) is to facilitate the gathering of Return Air from the conditioned space, channeling it back to the HVAC system for reconditioning. This crucial process ensures the maintenance of adequate air circulation and ventilation within the building.

Available in a range of options, the Return Air Insulated Plenum Box Top Entry can be tailored to suit specific needs. Whether opting for an uninsulated (Plain) version or selecting from a variety of standard insulation types such as 5mm or 10mm Rubber, 13mm or 25mm Polyester, or 13mm or 25mm Black-faced Fibreglass and 25mm Perforated Black-faced Fibreglass, Airfoil provides flexibility to meet diverse requirements. Additionally, custom insulation options are available upon request to cater to unique specifications.

To enhance flexibility, the Airfoil RAB-TE offers multiple Top Entry spigot placements, this unique design allows the Top Entry RAB-TE to efficiently return air directly from the rear of the Return Air Grille.

Designed to seamlessly integrate with Airfoils' Return Air Grille range this quality Plenum Box ensures compatibility and efficiency. Suitable for both commercial and domestic settings, where thermal and acoustic requirements are paramount, it stands as a testament to Airfoil's commitment to excellence in Sheet Metal solutions.

RETURN AIR INSULATED PLENUM BOX - TOP ENTRY **RAB-TE**

PRODUCT SPECIFICATIONS AND INFORMATION

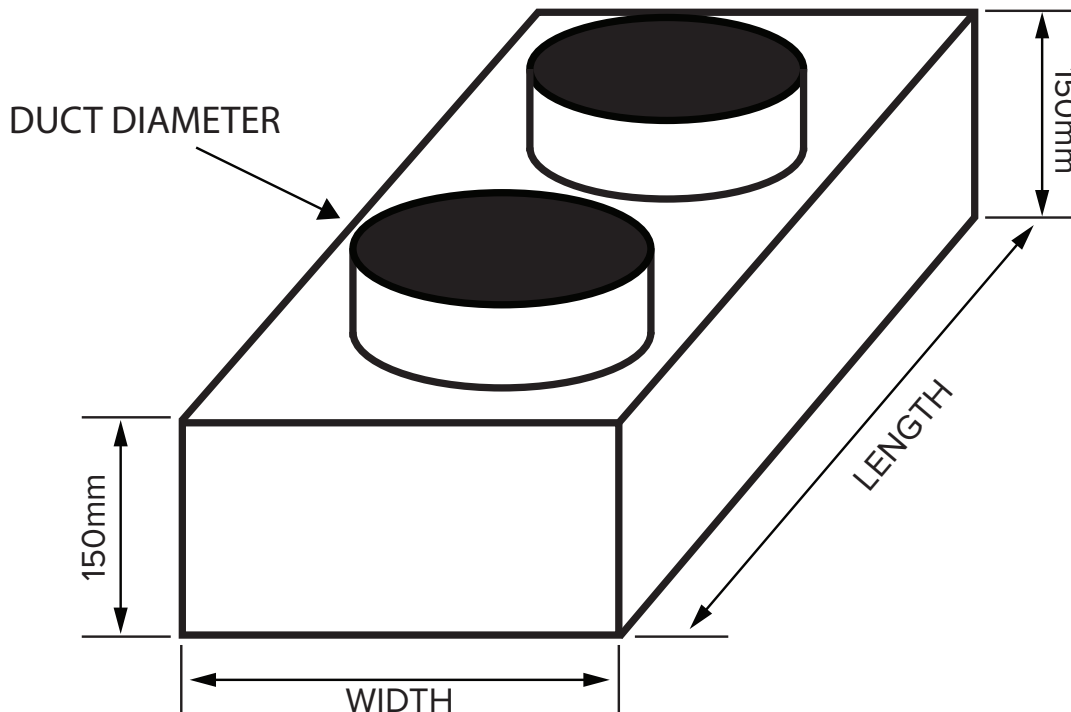
- **Product ordering code – RAB-TE**
- Australian Made and Designed
- Manufactured from 0.55mm Australian galvanised steel
- Custom box heights manufactured to suit grille requirements
- Standard Top Entry Plenum Box = 150mm high
- Used for return air heating and cooling
- Mounted behind grille
- Acoustic qualities
- Thermal qualities
- Available in Plain, Rubber (5mm/10mm), Polyester (13mm/25mm), Black-faced Fibreglass (13mm/25mm) or Perforated Black-faced Fibreglass (25mm)
- Variety of spigot placements available (Side, Opposite & Adjacent)
- Spigot sizes available are 100mm, 150mm, 200mm, 250mm, 300mm, 350mm, 400mm, 450mm, 500mm, 550mm and 600mm diameters
- Customised oval spigots available to suit varying box height restrictions
- **Side Entry** spigot placements available on request
- Suitable for both commercial and domestic settings
- Airfoil information available



RETURN AIR INSULATED PLENUM BOX - TOP ENTRY RAB-TE

CROSS SECTIONAL DIAGRAM

TOP ENTRY RETURN AIR PLENUM BOX



SPIGOT PLACEMENTS ARE OPPOSITE THE OPEN END



DISCLAIMER:

All product designs, data sheets and specifications presented herein are the intellectual property of Airfoil Manufacturing Pty Ltd. These designs and specifications, including but not limited to diagrams, drawings, and performance data, are protected under Australian intellectual property laws. No part of these designs and specifications may be copied, reproduced, distributed, or transmitted in any form or by any means without the prior written permission of Airfoil Manufacturing Pty Ltd. Unauthorised use or reproduction of these materials may result in legal action under Australian copyright and intellectual property laws.

RETURN AIR INSULATED PLENUM BOX - TOP ENTRY RAB-TE

PRODUCT ORDERING CODES

PRODUCT CODE	BOX OPENING (mm)	BOX HEIGHT (mm)	SPIGOT SIZE (mm)	5mm/10mm RUBBER INSULATION	13mm/25mm POLYESTER INSULATION	13mm/25mm FIBERGLASS INSULATION	25mm PERFORATED INSULATION
RAB-TE150-150	155 x 155	150	150 Dia	✓	✓	✓	✓
RAB-TE200-150	205 x 205	150	150 Dia	✓	✓	✓	✓
RAB-TE200-200	205 x 205	150	200 Dia	✓	✓	✓	✓
RAB-TE225-150	230 x 230	150	150 Dia	✓	✓	✓	✓
RAB-TE225-200	230 x 230	150	200 Dia	✓	✓	✓	✓
RAB-TE250-150	255 x 255	150	150 Dia	✓	✓	✓	✓
RAB-TE250-200	255 x 255	150	200 Dia	✓	✓	✓	✓
RAB-TE250-250	255 x 255	150	250 Dia	✓	✓	✓	✓
RAB-TE300-150	305 x 305	150	150 Dia	✓	✓	✓	✓
RAB-TE300-200	305 x 305	150	200 Dia	✓	✓	✓	✓
RAB-TE300-250	305 x 305	150	250 Dia	✓	✓	✓	✓
RAB-TE300-300	305 x 305	150	300 Dia	✓	✓	✓	✓
RAB-TE350-150	355 x 355	150	150 Dia	✓	✓	✓	✓
RAB-TE350-200	355 x 355	150	200 Dia	✓	✓	✓	✓
RAB-TE350-250	355 x 355	150	250 Dia	✓	✓	✓	✓
RAB-TE350-300	355 x 355	150	300 Dia	✓	✓	✓	✓
RAB-TE350-350	355 x 355	150	350 Dia	✓	✓	✓	✓
RAB-TE375-150	380 x 380	150	150 Dia	✓	✓	✓	✓
RAB-TE375-200	380 x 380	150	200 Dia	✓	✓	✓	✓
RAB-TE375-250	380 x 380	150	250 Dia	✓	✓	✓	✓
RAB-TE375-300	380 x 380	150	300 Dia	✓	✓	✓	✓
RAB-TE375-350	380 x 380	150	350 Dia	✓	✓	✓	✓

RETURN AIR INSULATED PLENUM BOX - TOP ENTRY RAB-TE

PRODUCT ORDERING CODES

PRODUCT CODE	BOX OPENING (mm)	BOX HEIGHT (mm)	SPIGOT SIZE (mm)	5mm/10mm RUBBER INSULATION	13mm/25mm POLYESTER INSULATION	13mm/25mm FIBERGLASS INSULATION	25mm PERFORATED INSULATION
RAB-TE400-150	405 x 405	150	150 Dia	✓	✓	✓	✓
RAB-TE400-200	405 x 405	150	200 Dia	✓	✓	✓	✓
RAB-TE400-250	405 x 405	150	250 Dia	✓	✓	✓	✓
RAB-TE400-300	405 x 405	150	300 Dia	✓	✓	✓	✓
RAB-TE400-350	405 x 405	150	350 Dia	✓	✓	✓	✓
RAB-TE400-400	405 x 405	150	400 Dia	✓	✓	✓	✓
RAB-TE450-150	455 x 455	150	150 Dia	✓	✓	✓	✓
RAB-TE450-200	455 x 455	150	200 Dia	✓	✓	✓	✓
RAB-TE450-250	455 x 455	150	250 Dia	✓	✓	✓	✓
RAB-TE450-300	455 x 455	150	300 Dia	✓	✓	✓	✓
RAB-TE450-350	455 x 455	150	350 Dia	✓	✓	✓	✓
RAB-TE450-400	455 x 455	150	400 Dia	✓	✓	✓	✓
RAB-TE450-450	455 x 455	150	450 Dia	✓	✓	✓	✓
RAB-TE550-150	555 x 555	150	150 Dia	✓	✓	✓	✓
RAB-TE550-200	555 x 555	150	200 Dia	✓	✓	✓	✓
RAB-TE550-250	555 x 555	150	250 Dia	✓	✓	✓	✓
RAB-TE550-300	555 x 555	150	300 Dia	✓	✓	✓	✓
RAB-TE550-350	555 x 555	150	350 Dia	✓	✓	✓	✓
RAB-TE550-400	555 x 555	150	400 Dia	✓	✓	✓	✓
RAB-TE550-450	555 x 555	150	450 Dia	✓	✓	✓	✓
RAB-TE550-500	555 x 555	150	500 Dia	✓	✓	✓	✓

RETURN AIR INSULATED PLENUM BOX - TOP ENTRY RAB-TE

PRODUCT ORDERING CODES

PRODUCT CODE	BOX OPENING (mm)	BOX HEIGHT (mm)	SPIGOT SIZE (mm)	5mm/10mm RUBBER INSULATION	13mm/25mm POLYESTER INSULATION	13mm/25mm FIBERGLASS INSULATION	25mm PERFORATED INSULATION
RAB-TE550-250-150	555 x 255	150	150 Dia	✓	✓	✓	✓
RAB-TE550-250-200	555 x 255	150	200 Dia	✓	✓	✓	✓
RAB-TE550-250-250	555 x 255	150	250 Dia	✓	✓	✓	✓
RAB-TE550-250-300	555 x 255	150	300 Dia	✓	✓	✓	✓
RAB-TE550-250-350	555 x 255	150	350 Dia	✓	✓	✓	✓
RAB-TE550-250-400	555 x 255	150	400 Dia	✓	✓	✓	✓
RAB-TE550-250-450	555 x 255	150	450 Dia	✓	✓	✓	✓
RAB-TE550-250-500	555 x 255	150	500 Dia	✓	✓	✓	✓
RAB-TE600-600-150	605 x 605	150	150 Dia	✓	✓	✓	✓
RAB-TE600-600-200	605 x 605	150	200 Dia	✓	✓	✓	✓
RAB-TE600-600-250	605 x 605	150	250 Dia	✓	✓	✓	✓
RAB-TE600-600-300	605 x 605	150	300 Dia	✓	✓	✓	✓
RAB-TE600-600-350	605 x 605	150	350 Dia	✓	✓	✓	✓
RAB-TE600-600-400	605 x 605	150	400 Dia	✓	✓	✓	✓
RAB-TE600-600-450	605 x 605	150	450 Dia	✓	✓	✓	✓
RAB-TE600-600-500	605 x 605	150	500 Dia	✓	✓	✓	✓
RAB-TE1150-550-150	1155 x 555	150	150 Dia	✓	✓	✓	✓
RAB-TE1150-550-200	1155 x 555	150	200 Dia	✓	✓	✓	✓
RAB-TE1150-550-250	1155 x 555	150	250 Dia	✓	✓	✓	✓
RAB-TE1150-550-300	1155 x 555	150	300 Dia	✓	✓	✓	✓
RAB-TE1150-550-350	1155 x 555	150	350 Dia	✓	✓	✓	✓

RETURN AIR INSULATED PLENUM BOX - TOP ENTRY RAB-TE

PRODUCT ORDERING CODES

PRODUCT CODE	BOX OPENING (mm)	BOX HEIGHT (mm)	SPIGOT SIZE (mm)	5mm/10mm RUBBER INSULATION	13mm/25mm POLYESTER INSULATION	13mm/25mm FIBERGLASS INSULATION	25mm PERFORATED INSULATION
RAB-TE1150-550-400	1155 x 555	150	400 Dia	✓	✓	✓	✓
RAB-TE1150-550-450	1155 x 555	150	450 Dia	✓	✓	✓	✓
RAB-TE1150-550-500	1155 x 555	150	500 Dia	✓	✓	✓	✓
RAB-TE1200-600-150	1205 x 605	150	150 Dia	✓	✓	✓	✓
RAB-TE1200-600-200	1205 x 605	150	200 Dia	✓	✓	✓	✓
RAB-TE1200-600-250	1205 x 605	150	250 Dia	✓	✓	✓	✓
RAB-TE1200-600-300	1205 x 605	150	300 Dia	✓	✓	✓	✓
RAB-TE1200-600-350	1205 x 605	150	350 Dia	✓	✓	✓	✓
RAB-TE1200-600-400	1205 x 605	150	400 Dia	✓	✓	✓	✓
RAB-TE1200-600-450	1205 x 605	150	450 Dia	✓	✓	✓	✓
RAB-TE1200-600-500	1205 x 605	150	500 Dia	✓	✓	✓	✓

DOMESTIC PRODUCT ORDERING CODES

PRODUCT CODE	BOX OPENING (mm)	BOX HEIGHT (mm)	SPIGOT SIZE (mm)	5mm/10mm RUBBER INSULATION	13mm/25mm POLYESTER INSULATION	13mm/25mm FIBERGLASS INSULATION	25mm PERFORATED INSULATION
RAB-TE600-400	600 x 400	150	350 Dia 400 Dia	✓	✓	✓	✓
RAB-TE750-400	750 x 400	150	350 Dia 400 Dia	✓	✓	✓	✓
RAB-TE750-450	750 x 450	150	350 Dia 400 Dia	✓	✓	✓	✓
RAB-TE750-500	750 x 500	150	350 Dia 400 Dia	✓	✓	✓	✓
RAB-TE900-400	900 x 400	150	350 Dia 400 Dia	✓	✓	✓	✓
RAB-TE900-500	900 x 500	150	350 Dia 400 Dia	✓	✓	✓	✓
RAB-TE900-550	900 x 550	150	350 Dia 400 Dia	✓	✓	✓	✓