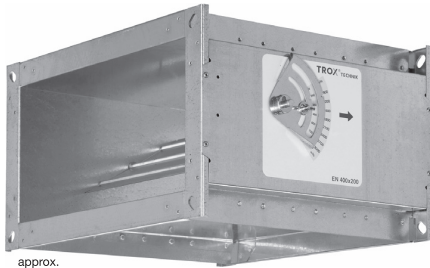
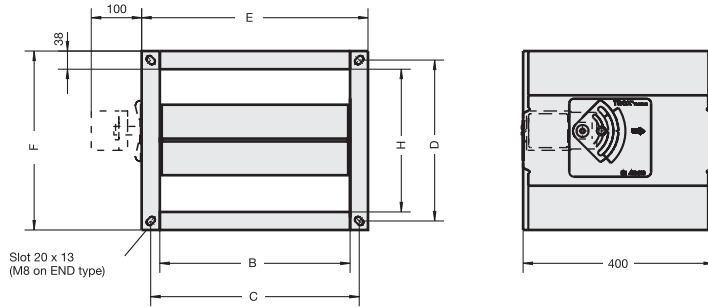


Constant Volume Dampers Type 'EN'

This is a mechanical self-balancing constant flow regulator suitable for rectangular ductwork. It does NOT require an actuator or electronic controller to operate. It saves cost and time!



approx.



EN

Sound pressure level (dB[A])

Size mm	Air Flow range (l/s)	V vel= 5m/s (l/s)	$\Delta p_g = 100 \text{ Pa}$				$\Delta p_g = 200 \text{ Pa}$				
			Air-regenerated noise		Case-radiated noise		Air-regenerated noise		Case-radiated noise		
			without silencer	with silencer	without acoustic cladding	with acoustic cladding	without silencer	with silencer	without acoustic cladding	with acoustic cladding	
			Type TX		Type TX		Type TX		Type TX		
B	H			L_{pA}	L_{pA1}	L_{pA2}	L_{pA3}	L_{pA}	L_{pA1}	L_{pA2}	L_{pA3}
200	100	40 - 160	100	40	30	32	27	48	35	38	32
300	100	65 - 260	150	42	31	34	29	49	36	41	34
300	150	105 - 420	225	42	29	34	27	49	35	40	32
300	200	128 - 520	300	43	27	34	25	52	35	42	33
400	200	210 - 840	400	40	24	33	25	49	33	41	32
500	200	230 - 920	500	38	23	31	23	47	31	39	31
600	200	255 - 1020	600	36	23	31	24	44	31	39	32
400	250	220 - 880	500	41	26	34	25	51	34	42	33
500	250	300 - 1200	625	39	23	32	23	48	32	40	31
600	250	320 - 1280	750	38	24	32	24	47	32	40	33
400	300	315 - 1260	600	44	27	37	27	52	35	44	35
500	300	375 - 1500	750	41	25	35	26	49	33	42	33
600	300	420 - 1680	900	39	24	32	24	47	31	40	31
400	400	420 - 1680	800	46	29	39	30	54	37	47	37
500	400	460 - 1840	1000	43	26	37	27	52	34	45	35
600	400	510 - 2040	1200	41	26	36	27	49	34	44	34
500	500	600 - 2400	1250	46	28	40	30	54	36	48	38
600	500	565 - 2560	1500	43	28	39	29	51	36	47	37
600	600	840 - 3360	1800	45	28	41	31	53	36	48	38

Nomenclature

Δp_g in Pa = Total pressure differential

v in m/s = Upstream velocity

L_{pA} in dB(A) = A-weighted sound pressure level of air-regenerated noise, system attenuation taken into account

L_{pA1} in dB(A) = A-weighted sound pressure level of air-regenerated noise with TX silencer, system attenuation taken into account

L_{pA2} in dB(A) = A-weighted sound pressure level of case-radiated noise, system attenuation taken into account

L_{pA3} in dB(A) = A-weighted sound pressure level of case-radiated noise with additional acoustic cladding, system attenuation taken into account

All sound pressure levels are based on 20 μ Pa.

System attenuation: See leaflet 5/9.1/EN/...

Order Code

Type
Volume flow controller
with acoustic cladding

EN
END

EN / 400 x 200 / B50

B x H

Setpoint re-adjustment option

B50

Actuators
See leaflet