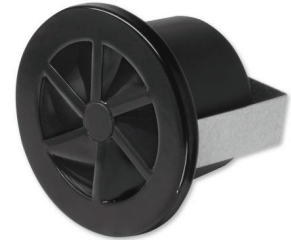


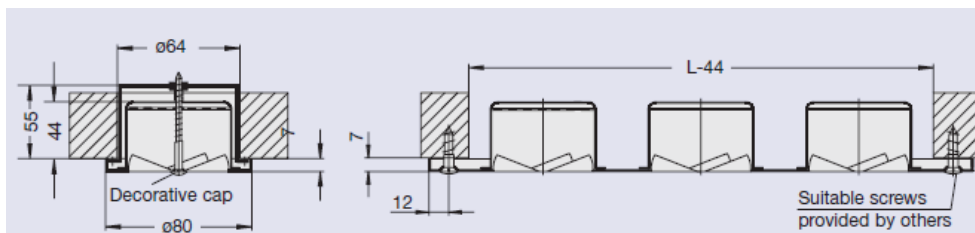
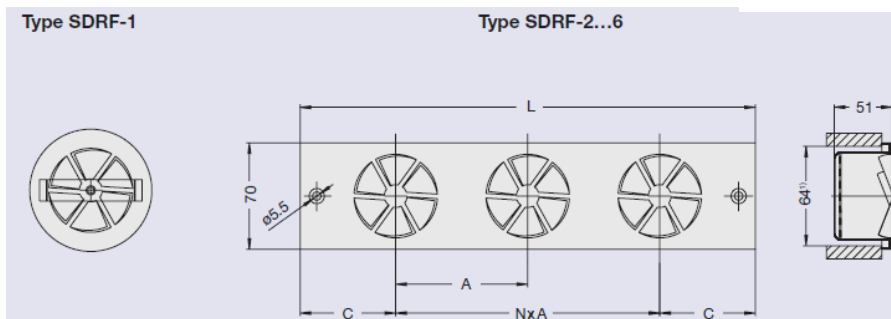
The Staircase Diffuser is designed to be used in theatres, auditoriums, concert halls or cinemas to supply air at a temperature differential of between 3 to 6 °C. They can be mounted vertically on steps or horizontally directly below the seat.

Key Features:

- The SDRF comprises a face plate with 1 to 6 standard stamped discharge elements
- Discharge elements are circular with fixed providing radial blades providing a swirl airflow pattern
- Draught free and silent airflow provision



Dimensions Type SDRF-2 to 6			
Type	L (mm)	C (mm)	N x A
SDRF-2	200	63	1 x 74
SDRF-3	300	63	2 x 87
SDRF-4	400	71	3 x 86
SDRF-5	500	66	4 x 92
SDRF-6	500	65	5 x 74



Order Code

These codes need not be completed for standard products

SDRF - K / 3 / 0 / 0 / P1 - RAL 9016

Fixing of complete diffuser face with

Spring clips K

Counterpunched holes for fixing screws provided by others S

1
2
3
4
5
6
No. of discharge elements

Not used

State colour

0 Standard finish Powder-coated to RAL 9005 (GE 70 %)¹)

P1 Powder-coated to RAL 9006 (GE 30 %)¹)
Other RAL colours (GE 70 %)¹)

1) GE = Gloss level

Note:
Type SDRF-1 circular faceplate!
Types SDRF-2...6 rectangular face plate!

Note: For further details please refer to the TROX GmbH Catalogue 1/9.1/EN/3