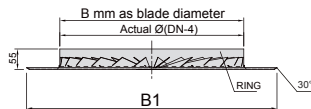
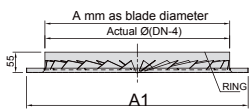
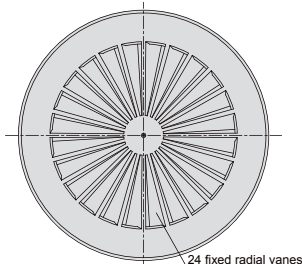
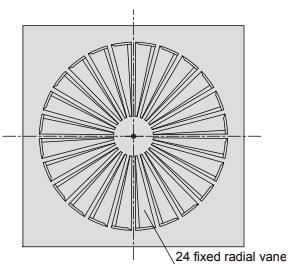
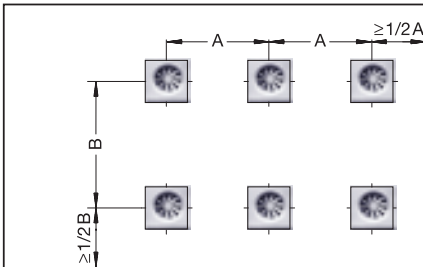




The standard TROX TCS/400 – 600 High-Flow Swirl Diffuser is designed to fit into different T-Bar ceiling patterns as well as plaster board ceilings and is available in either a square or a round face plate ranging from 400 x 400 to 600 x 600 square or 400 Dia to 600 Dia. The diffuser has a radial airflow discharge pattern allowing for a high induction flow rate suitable for both variable and constant volume flow.



Diffuser layout



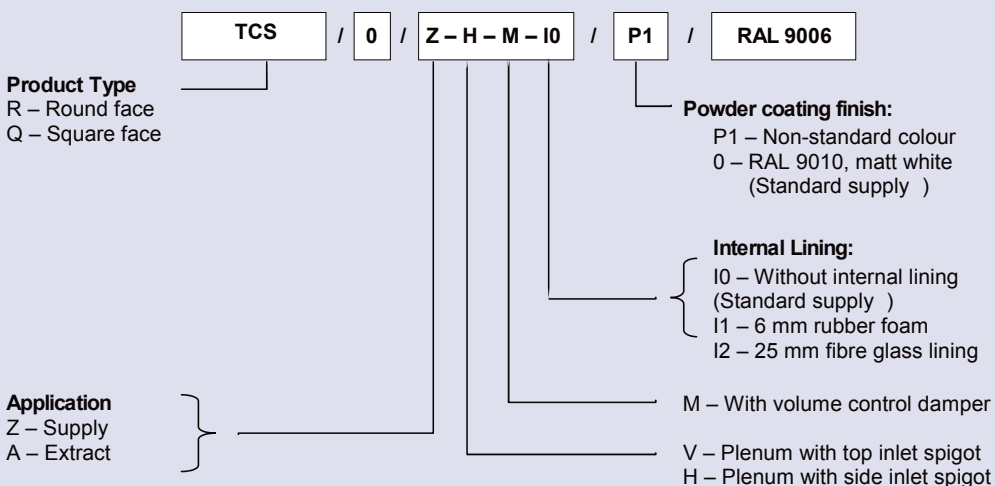
Air Flow Rate(l/s) for Multiple Rows*							
Size	B (m)	Distance between diffusers, A (m)					
		1.5	Vel m/s	2.0	Vel m/s	3.0	Vel m/s**
350	3.0	40	0.12	60	0.19	90	0.30
400		60	0.13	80	0.21	100	0.30
450		60	0.27	100	0.27	150	0.38
500		80	0.18	100	0.24	200	0.42
Distance between diffusers, A (m)							
350	4.0	60	0.12	90	0.20	130	0.30
400		75	0.14	150	0.31	150	0.31
450		100	0.18	175	0.32	150	0.29
500		150	0.25	200	0.32	200	0.31
Distance between diffusers, A (m)							
	A = B (m)	3.0	Vel m/s	4.0	Vel m/s	5.0	Vel m/s
350		90	0.29	130	0.27	180	0.24
400		75	0.21	100	0.18	200	0.20
450		100	0.27	150	0.24	250	0.28
500	100	0.22	200	0.30	300	0.32	

* Selections are based on a standard ceiling height of 2.7 m – Maximum effective operating height 4.0 m

** Vel =Velocity in the occupied zone 1.8 m AFFL

Diff Size	A Ø	A1 □	B Ø	B1 Ø
350	350	395 x 395	350	445
400	400,350	445 x 445	400	510
450	450,400,350	495 x 495	450	555
500	500,450,400,350	595 x 595	500	675

Order Code



Note: For further details, please refer to TROX KLIMA Asia Pacific catalogue Ref. PI C 2.2/6. 1/EN/2