

AIRFOIL

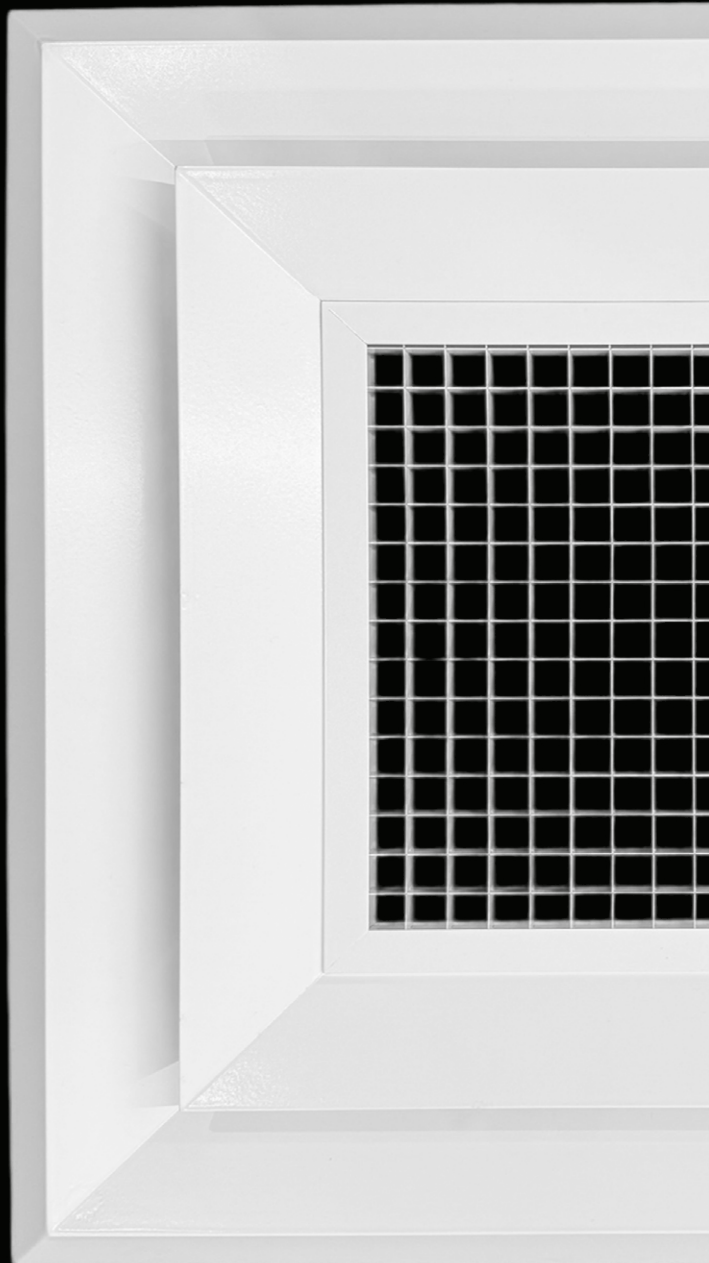


GRILLES
DUCT
FITTINGS

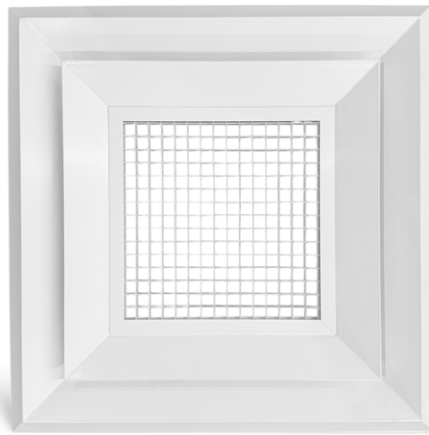
making it happen sooner...



Quality
Endorsed
Company
ISO 9001
 SAI GLOBAL



BEVELLED FACE DUMP DIFFUSER
BFD



BEVELLED FACE DUMP DIFFUSER BFD

PRODUCT DESCRIPTION AND APPLICATION

Airfoil's Bevelled Face Dump Diffuser (BFD) is a high-quality surface-mounted model crafted from Airfoil's finest aluminium. Featuring a built-in anti-smudge 45° bevelled edged frame, this practical diffuser offers increased ceiling protection on installation.

The BFD boasts an eggcrate centre core allowing for the dumping of air to a targeted area, used for both heating and cooling purposes. With a free area of approximately 90%, the BFD can handle large air volumes while maintaining relatively low noise levels. Available in 5 different sizes.

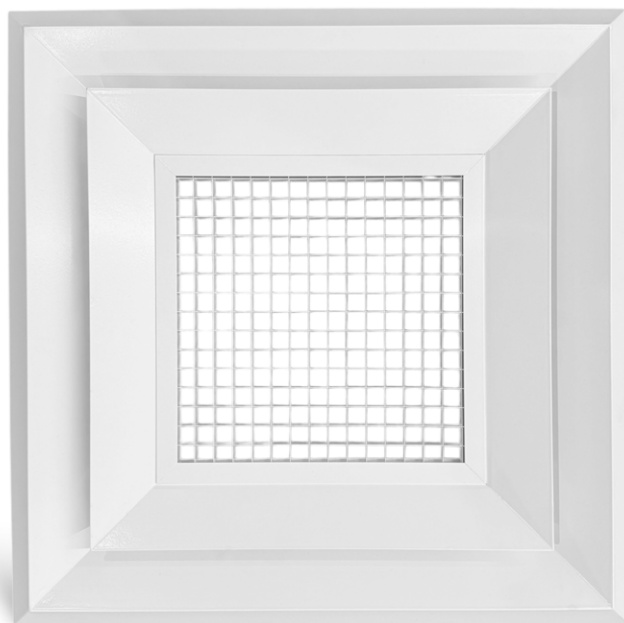
The bevelled outer frame can be paired with an Optional Fixing Clip Reducer Neck (FCRN) for easy installation into a plasterboard ceiling. Alternatively, Airfoil's Insulated Cushion Box (ICB) is available for commercial use purposes.

This popular and visually appealing diffuser is offered in our standard white range, with the option for custom powder-coating to any specific colour. The BFD finds its ideal application in various settings, including domestic homes and commercial spaces such as airports, kitchen applications, hospitals, office spaces, shopping centres, schools, or any building where directional air to a targeted area is essential.

BEVELLED FACE DUMP DIFFUSER BFD

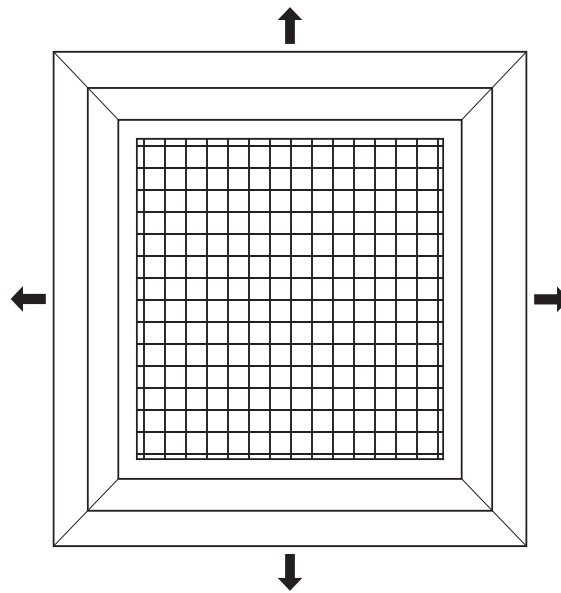
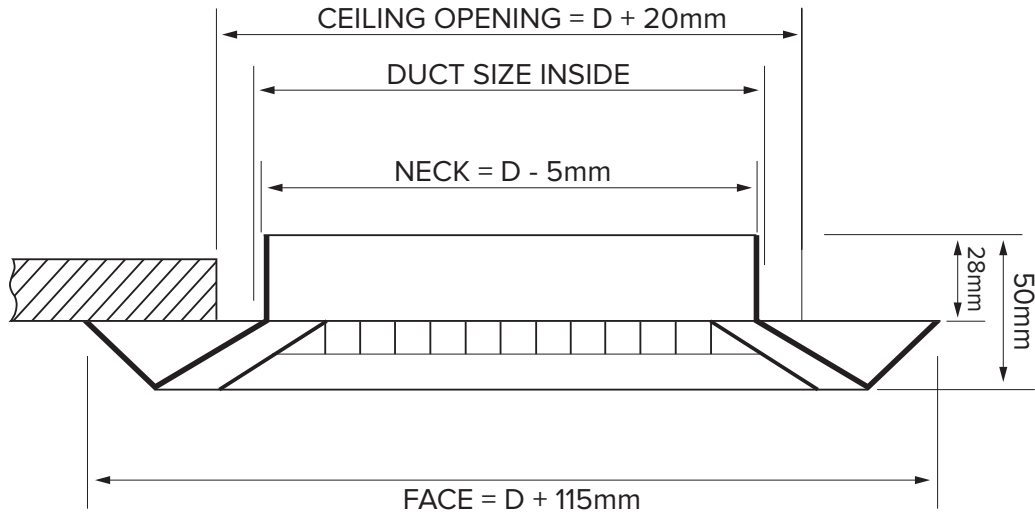
PRODUCT SPECIFICATIONS AND INFORMATION

- **Product ordering code – BFD**
- Australian Made and Designed
- Aluminium construction
- Eggcrate core boasting approx 90% free area
- Used for dumping of air to a targeted area
- Neck Sizes available: 450mm x 450mm Neck Size, 375mm x 375mm Neck Size, 300mm x 300mm Neck Size, 225mm x 225mm Neck Size, 150mm x 150mm Neck Size
- Suited to surface mounted applications (plasterboard ceiling)
- Quick release removable core for easy access and installation
- Suited to heating and cooling outcomes
- Available in standard white
- Special powder-coated colours available on request
- Product suitable for office space, kitchen applications, shopping centres, hotels, colleges, universities, hospitals and most commercial or industrial buildings
- Available with Airfoil's Fixing Clip Square to Round Reducer Neck (FCRN) and Airfoil's Square to Square Reducer Neck (FCRN)
- Available with Airfoil's Insulated Cushion Box (ICB) to suit BFD
- Airfoil tested information available
- **The following metric performance data has been derived from exhaustive testing in elaborate laboratories of acoustic and vibrational engineers Louis A. Challis and Associates Proprietary Limited. Darling Street, Sydney 2000**



BEVELLED FACE DUMP DIFFUSER BFD

CROSS SECTIONAL DIAGRAM



DISCLAIMER:

All product designs, data sheets and specifications presented herein are the intellectual property of Airfoil Manufacturing Pty Ltd. These designs and specifications, including but not limited to diagrams, drawings, and performance data, are protected under Australian intellectual property laws. No part of these designs and specifications may be copied, reproduced, distributed, or transmitted in any form or by any means without the prior written permission of Airfoil Manufacturing Pty Ltd. Unauthorised use or reproduction of these materials may result in legal action under Australian copyright and intellectual property laws.

BEVELLED FACE DUMP DIFFUSER BFD

PERFORMANCE DATA

Neck Area	Rating	1.5	2.0	2.5	3.0	3.5
(sq. metre)	Total Pressure Drop in Pascals	10	15	23	33	44
150x150	l/s	34	45	56	67	78
	NR - dB	—	—	—	—	20
0.0225	NC - dB	—	—	—	—	19
	Min - Max Throw (metres)	0.6-1.8	0.9-1.8	1.2-2.1	1.5-2.7	1.5-3.0
225x225	l/s	76	101	127	152	177
	NR - dB	—	—	—	22	27
0.0506	NC - dB	—	—	—	21	26
	Min - Max Throw (metres)	1.2-2.4	1.5-3.0	1.8-3.7	2.1-4.0	2.4-4.3
300x300	l/s	135	180	225	270	315
	NR - dB	—	—	22	28	32
0.0900	NC - dB	—	—	21	27	31
	Min - Max Throw (metres)	1.5-3.4	1.8-4.0	2.1-4.6	2.7-5.2	3.4-5.5
375x375	l/s	210	260	345	421	490
	NR - dB	—	21	27	31	38
0.1406	NC - dB	—	20	26	30	37
	Min - Max Throw (metres)	1.8-4.3	2.1-4.6	2.4-5.5	3.4-6.1	4.3-6.1
450x450	l/s	304	405	506	607	708
	NR - dB	—	25	30	34	40
0.2025	NC - dB	—	24	29	33	39
	Min - Max Throw (metres)	2.1-4.9	2.4-5.5	3.7-6.7	4.3-7.3	4.9-7.9

Throw measurements are at 1.5mls min and .65mls max terminal velocity.