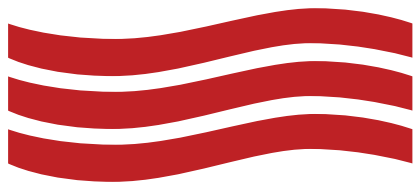


AIRFOIL



GRILLES
DUCT
FITTINGS

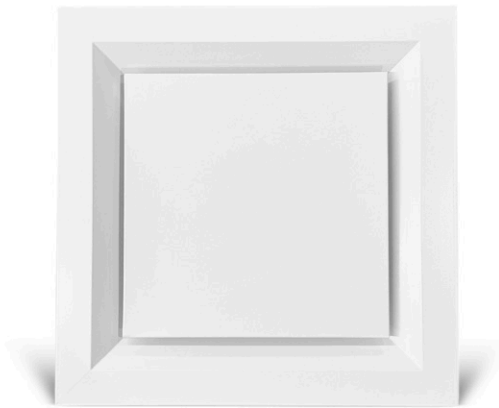
making it happen sooner...



Quality
Endorsed
Company
ISO 9001
 SAI GLOBAL



PLAQUE CEILING DIFFUSER
PCD



PLAQUE CEILING DIFFUSER – FOUR WAY BLOW PCD

PRODUCT DESCRIPTION AND APPLICATION

Airfoil's Australian Made premium Plaque Ceiling Diffuser 4 Way Blow (PCD) offers a sophisticated plaque facia supply air pattern. Designed for surface mounting, this diffuser is typically installed flush with the ceiling line.

Its versatile frame style is well-suited for lay-in applications, seamlessly integrating into metric exposed T-Bar ceiling grids without modification. Additionally, it can be effortlessly laid into modular ceiling tiles without altering the T-Bar construction. The Plaque Ceiling Diffuser ensures uniform airflow distribution, making it suitable for both heating and cooling purposes.

Extruded from Airfoil's finest aluminium, the diffuser features a quick-release core for easy access and installation. Available in 7 different sizes, each diffuser size can be accompanied by a separate T-Bar Frame (TBF), simplifying the installation process. The diffuser is simply laid into the accompanying T-Bar Frame (TBF) for installation into a traditional plasterboard ceiling.

This popular and visually appealing diffuser is available in our standard white range but can also be powder-coated to any specific colour. The PCD is ideal for various applications including airports, hospitals, office spaces, shopping centres, schools, or any building where uniform air distribution is essential.

PLAQUE CEILING DIFFUSER – FOUR WAY BLOW PCD

PRODUCT SPECIFICATIONS AND INFORMATION

- **Product ordering code – PCD**
- Australian Made and Designed
- Aluminium construction
- Plaque 4 Way Blow Supply Air pattern
- Architectural modern aesthetic
- Face Sizes available: 595mm x 595mm Face Size, 395mm x 395mm Face Size,
- Neck Sizes available: 450mm x 450mm Neck Size, 375mm x 375mm Neck Size, 300mm x 300mm Neck Size, 225mm x 225mm Neck Size, 150mm x 150mm Neck Size
- Suited to ceiling grid and flush mounted applications
- Quick release removable core for access and installation
- Suited to heating and cooling outcomes
- Available in standard white
- Special powder-coated colours available on request
- Available with accompanying Airfoil T-Bar Frame (TBF) for plaster board ceiling applications
- Product suitable for airports, hospitals, office spaces, shopping centres, hotels, colleges, universities and most commercial or industrial buildings
- Available with Airfoil's Fixing Clip Square to Round Reducer Neck (FCRN), Square to Round Reducer Neck (RN) and Square to Square Reducer Neck (RN)
- Available with Airfoil Cushion Box (ICB) to suit PCD
- Airfoil tested information available
- **The following metric performance data has been derived from exhaustive testing in elaborate laboratories of acoustic and vibrational engineers Louis A. Challis and Associates Proprietary Limited. Darling Street, Sydney 2000**

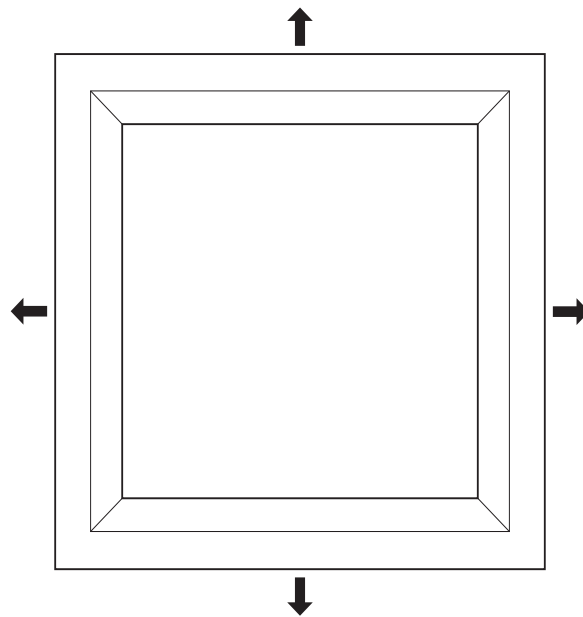


PLAQUE CEILING DIFFUSER – FOUR WAY BLOW PCD

CROSS SECTIONAL DIAGRAM



FOUR WAY BLOW



DISCLAIMER:

All product designs, data sheets and specifications presented herein are the intellectual property of Airfoil Manufacturing Pty Ltd. These designs and specifications, including but not limited to diagrams, drawings, and performance data, are protected under Australian intellectual property laws. No part of these designs and specifications may be copied, reproduced, distributed, or transmitted in any form or by any means without the prior written permission of Airfoil Manufacturing Pty Ltd. Unauthorised use or reproduction of these materials may result in legal action under Australian copyright and intellectual property laws.

PLAQUE CEILING DIFFUSER – FOUR WAY BLOW PCD

PERFORMANCE DATA

Neck Area	Rating	1.5	2.0	2.5	3.0	3.5
(sq. metre)	Total Pressure Drop in Pascals	10	15	23	33	44
150x150	l/s	34	45	56	67	78
	NR - dB	—	—	—	22	29
0.0225	NC - dB	—	—	—	21	28
	Min - Max Throw (metres)	1.2-3.4	1.5-3.7	2.1-4.0	2.7-4.6	3.0-5.2
225x225	l/s	76	101	127	152	177
	NR - dB	—	—	22	27	33
0.0506	NC - dB	—	—	21	26	32
	Min - Max Throw (metres)	1.8-5.2	2.4-5.5	3.4-6.4	4.0-7.0	4.6-7.9
300x300	l/s	135	180	225	270	315
	NR - dB	—	21	25	30	36
0.0900	NC - dB	—	20	24	29	35
	Min - Max Throw (metres)	2.4-6.7	3.4-7.9	4.3-8.5	5.5-9.1	6.1-10.0
375x375	l/s	210	260	345	421	490
	NR - dB	17	23	27	33	39
0.1406	NC - dB	16	22	26	32	38
	Min - Max Throw (metres)	3.0-7.0	3.7-10.0	5.5-10.7	6.1-11.0	8.0-13.0
450x450	l/s	304	405	506	607	708
	NR - dB	—	24	29	34	41
0.2025	NC - dB	—	23	28	33	40
	Min - Max Throw (metres)	3.4-7.0	4.0-10.3	5.8-11.0	6.4-11.3	8.2-13.4

Throw measurements are at 1.5mls min and .65mls max terminal velocity.

For our Plaque Diffuser range, please adjust Min - Max Throw capacities by 50% from performance data above